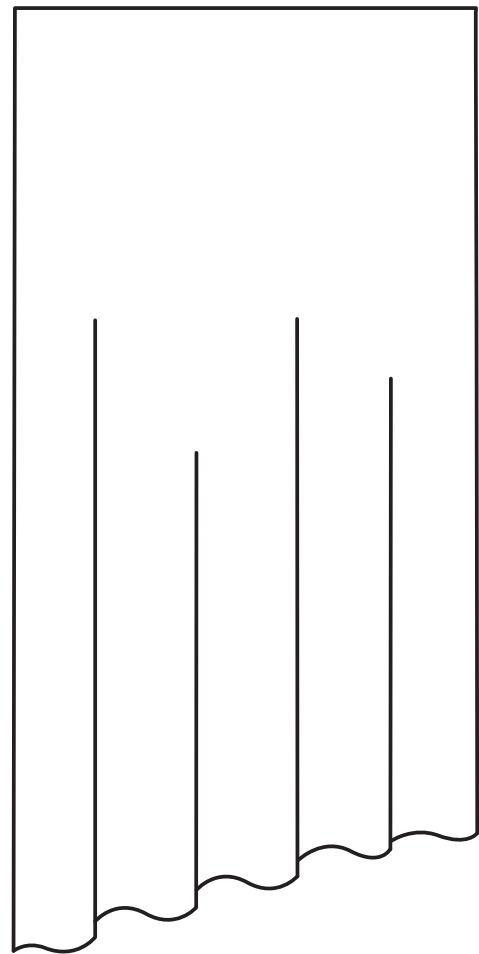


# CURTAIN TRACKS

SYSTEMS | CURTAIN TRACKS



*création* **baumann**



## CURTAIN TRACKS

The future belongs to curtain systems with electrical drives. Use of the latest technology makes their operation convenient and efficient, even when the curtains to be opened or closed are heavy or high.

This makes made-to-measure solutions feasible for most applications in the home and residential market.

---

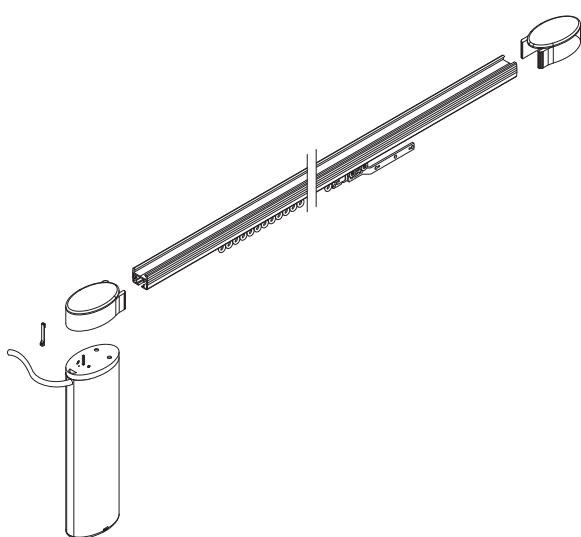
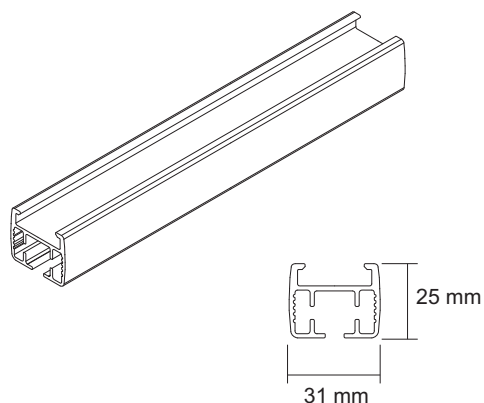
MONOTRAC  
POWER RTS 230 V  
Page 5

---





# MONOTRAC POWER RTS 230 V TECHNIQUE



**Profil** Robust, extruded 1-runner aluminium track suitable for light to middle-weight curtains, provided by electrical motor, installed right or left or above, as required.

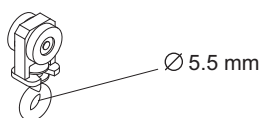
- Simple and quick installation using ceiling tension jacks or ceiling clips
- Aesthetic mechanism and drive design
- Extremely quiet drive mechanism (44 decibels)
- Soft-start/soft-stop effect when drawing the curtains
- Integral touch-motion function
- Collision protection (in case of any objects in the way)
- Integral radio receiver (SOMFY RTS)
- Cable channel integrated into the drive mechanism casing

**Colour** Standard white RAL 9016

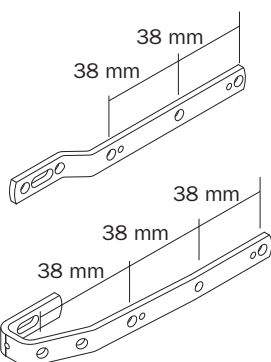
**Length of track** Up to max. 1000 cm

**Partition of curtain** lateral opening (one way) or central opening (two way)

**Weight of curtain** Up to max. 60 kg



**Rotating eye runner** For taking-in curtain hooks, every 10 cm



**Straight arm** for lateral opening (one way)

**Overlap arm** for central opening (two way)

# MONOTRAC POWER RTS 230 V TECHNIQUE



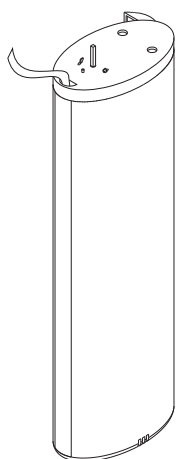
**Function** Most drive mechanisms develop a noise emission of up to 55 Decibels. In MONOTRAC Power, the drive mechanism generates a barely-audible 44 decibels when switched on.

**Soft-start/soft-stop:** When the drive mechanism starts or stops, full speed is achieved only after a few seconds have passed, making the drive mechanism function more agreeable.

**Touch Motion:** In this function, a slight sideways push of the drape by hand causes the drive to be activated automatically. Particularly in hotel rooms, guests often unknowingly operate the curtain or its mechanism incorrectly and may damage them. The touch motion function reduces this problem to a Minimum

**Collision protection:** If the material is being held back to any significant extent by some object as the drape is pulled, the collision protection function operates to stop the movement automatically.

**Integral radio receiver:** This function is already familiar from ECOTRIC RTS and ROLLECTRO II RTS, and is once again associated with all the same advantages – including a high level of conveniences and a solution that is aesthetically pleasing.



**Motor** Internal 24-Volt DC motor with integral transformer and connection cable 230 V, 3-wire cable

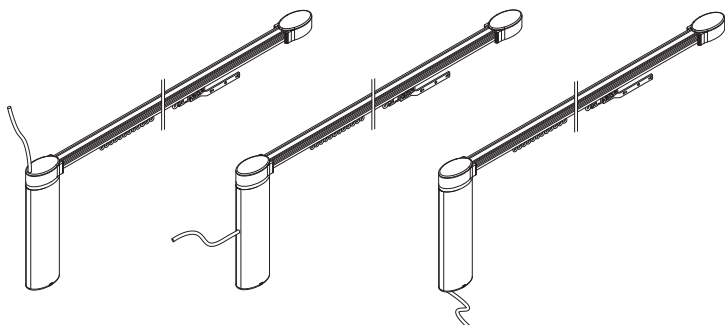
**somfy®**

Input 120 W  
Nominal current 1,0 Amp  
Electric cable length 1,50 m

With overload protection

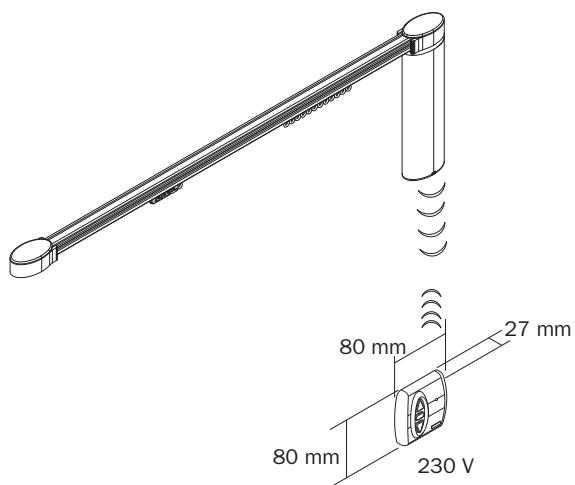
**Speed of drive mechanism** Adjustable from 12,5 cm to 20 cm per second

# MONOTRAC POWER RTS 230 V TECHNIQUE



Crankcase with integral cable conduit for connection cable in below, centred or above position.

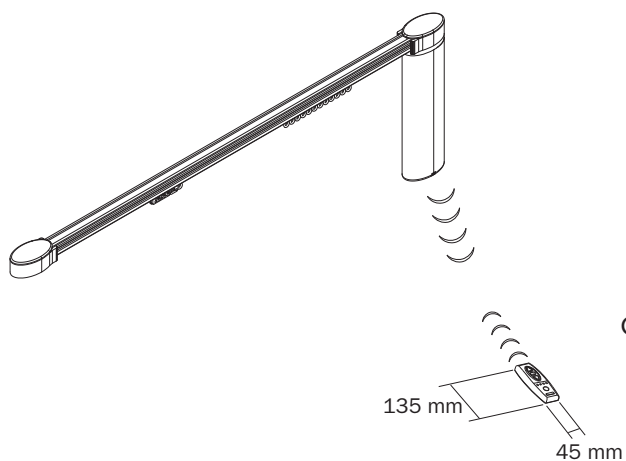
Set A



Operation/  
Controller

Radio wall transmitter (Centalis RTS) white, other systems (SMOOVE RTS/ BASIC RTS) upon inquiry

Set B



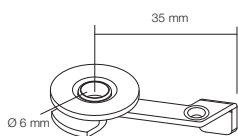
Radio hand transmitter 1-channel (TE-LIS 1 RTS) or 4-channel (TELIS 4 RTS) white

Group control

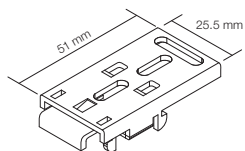
As of two installations upon inquiry



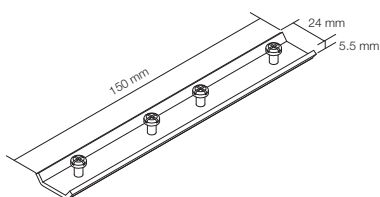
# MONOTRAC POWER RTS 230 V INSTALLATION



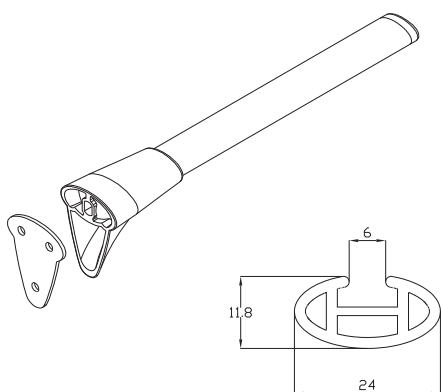
Tension jack Galvanised metal for ceiling fixation



Clip White metal for ceiling fixation



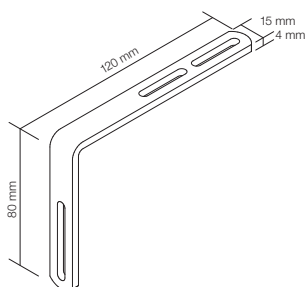
Rail joint Metallic plate, zinc plated with fixing screws



Universal bracket Wall fixation with aluminium brackets, cutting to size on-site possible

Colours Standard anodized aluminium  
Standard white RAL 9016  
Other colours upon inquiry

Measures	Length	Height
	approx. 130-150 mm	approx. 55 mm
	approx. 180-200 mm	approx. 55 mm
	approx. 230-250 mm	approx. 55 mm



Wall support Fixing to wall with galvanized metal support

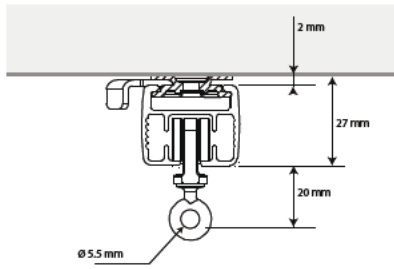
Colours Standard galvanized grey  
Standard white RAL 9016  
Other colours upon inquiry

Measures	Length	Height
	approx. 50 mm	approx. 60 mm
	approx. 80 mm	approx. 80 mm
	approx. 100 mm	approx. 80 mm
	approx. 120 mm	approx. 80 mm
	approx. 150 mm	approx. 80 mm
	approx. 180 mm	approx. 100 mm

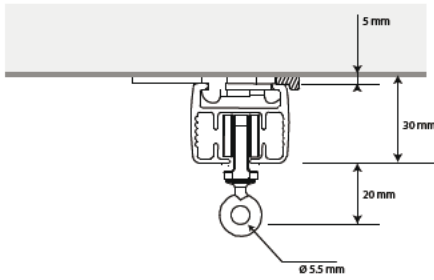
# MONOTRAC POWER RTS 230 V INSTALLATION



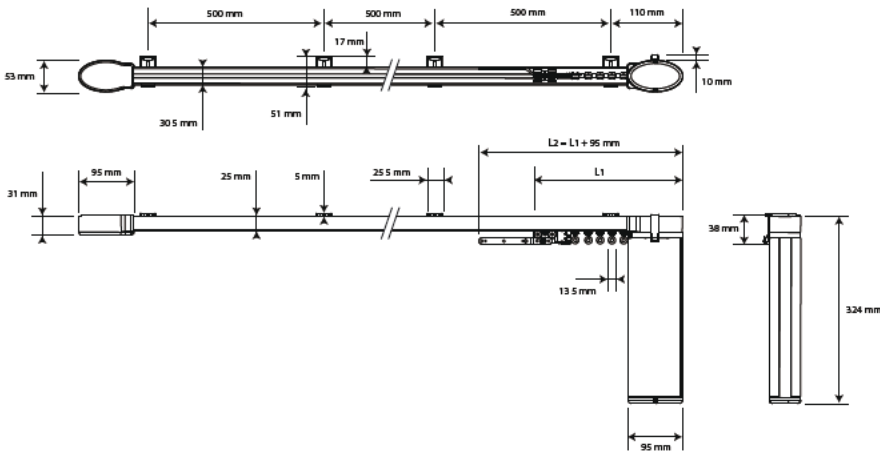
Ceiling fixation with tension jack



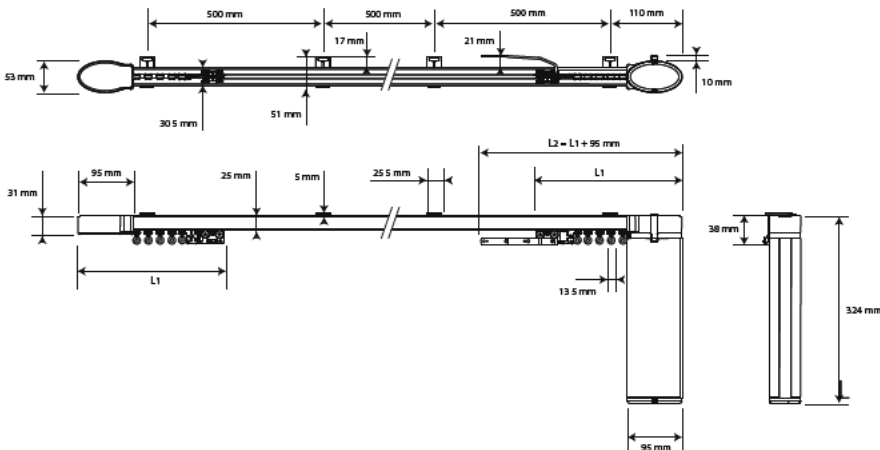
Ceiling fixation with clip



Lateral opening (one way)



Central opening (two way)



Stack size:  
 $L1 = 175 \text{ mm} + \text{number of runners}$   
 (13,5 mm per runner)  
 $L2 = L1 + 95 \text{ mm}$



Our comprehensive range and a complete list of our global sales outlets can be found at [www.creationbaumann.com](http://www.creationbaumann.com).

03/2011

Création Baumann AG  
Bern-Zürich-Strasse 23 | CH-4901 Langenthal  
Telephone +41 (0)62 919 62 62 | Fax +41 (0)62 922 45 47  
[mail@creationbaumann.com](mailto:mail@creationbaumann.com) | [www.creationbaumann.com](http://www.creationbaumann.com)

*création* **baumann**