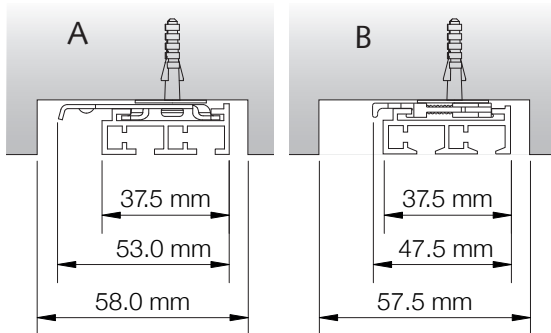


MEASURING AND INSTALLATION

Installation in the groove

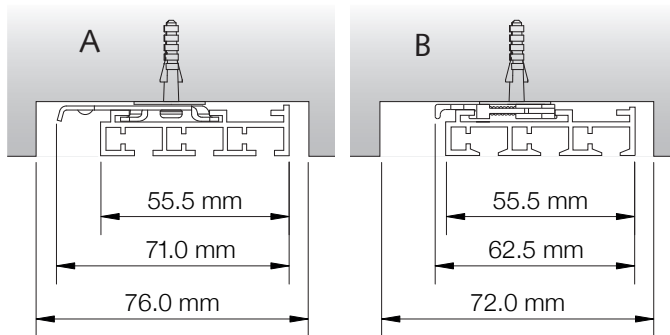
Space requirements in the case of installation with tension jacks in a groove:



PANTRIC 2

A Tension jack

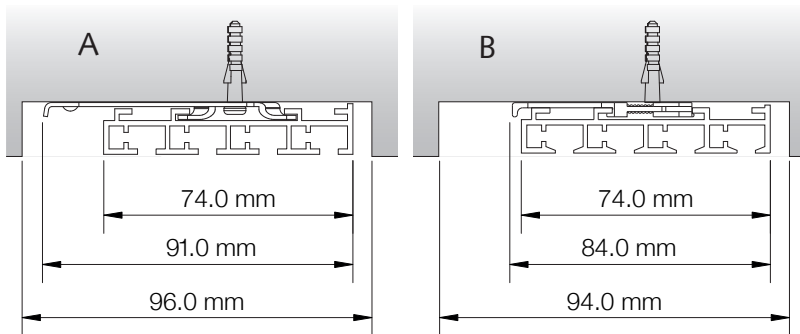
B Clip



PANTRIC 3

A Tension jack

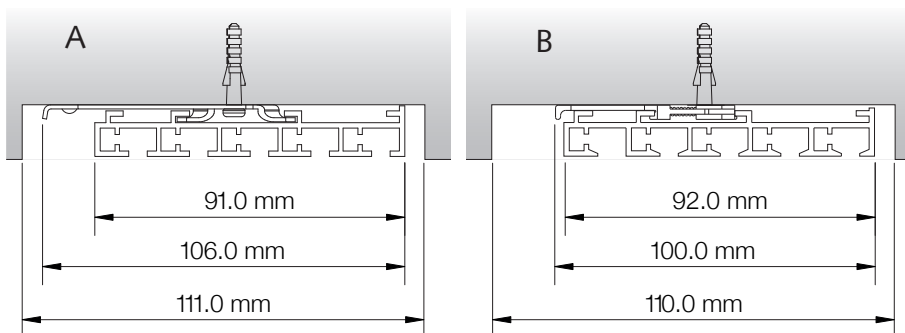
B Clip



PANTRIC 4

A Tension jack

B Clip

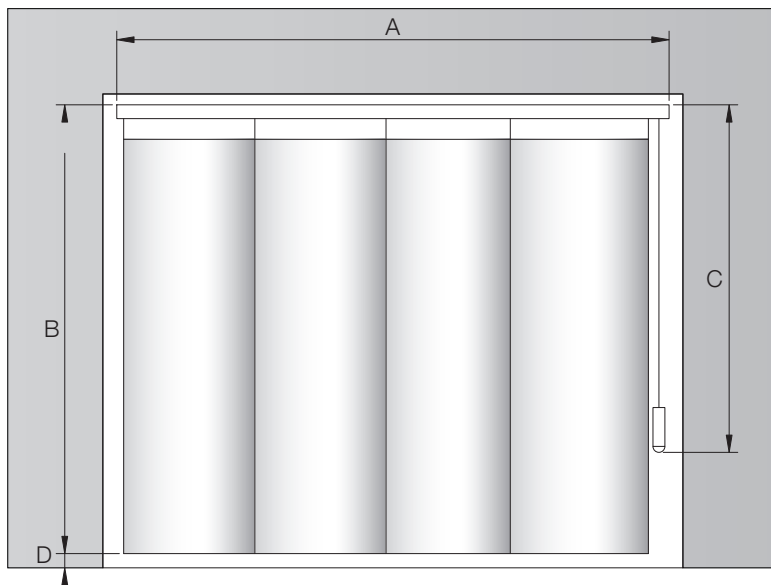


PANTRIC 5

A Tension jack

B Clip

MEASURING AND INSTALLATION

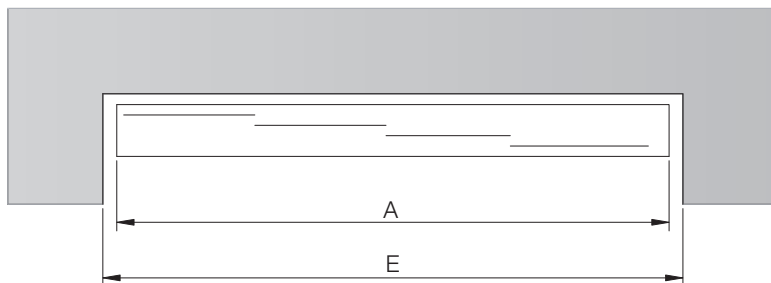


Measuring

The panel track systems are customized. System widths of up to approx. 600 cm (max.) and system heights of up to approx. 300 cm (max.) are possible.

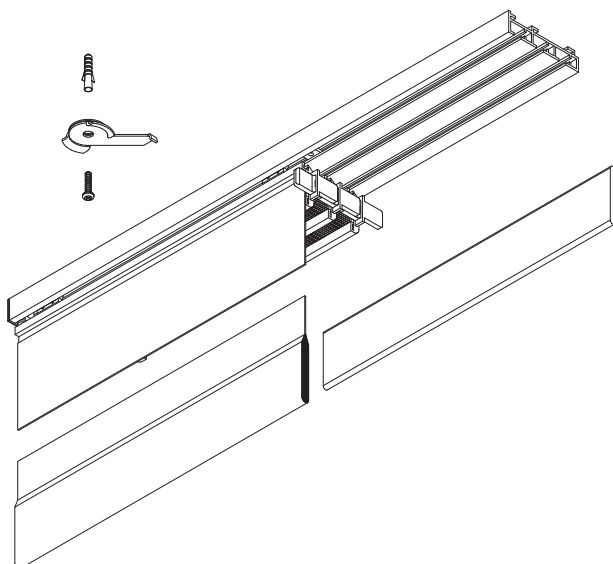
Larger widths / heights upon inquiry.

- A System width: The width of the panel track systems
- B System height: From the upper edge of the track to the lower edge of the fabric panels
- C Please indicate the drawing side and length of the draw cord
- D Distance to floor



In the case of window niches or wall-to-wall installations, deduct approx. 1 cm from the niche, that is to say from the wall-to-wall measurements.

- E Width of niche
- A System width = niche width, minus 1 cm



Installation

- Higher track side in room direction
- Position a tension jack at 5 cm from each track end as well as every 50 cm
- Position the tension jack arm in window direction
- Position the weighting in the lower hollow space of the fabric panels
- Fix the fabric panel with Velcro to the sliding element