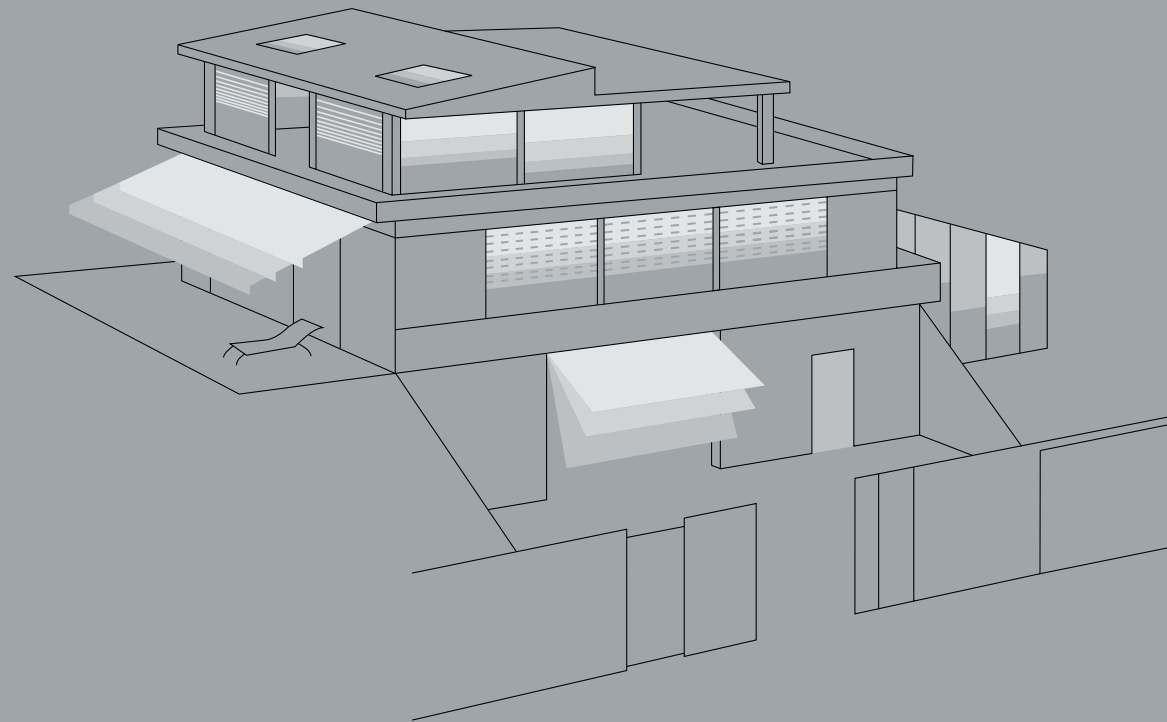
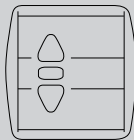


CRÉATION BAUMANN

AUTOMATION





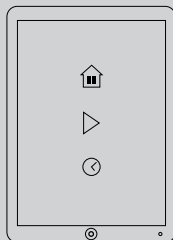
WALL-MOUNTED CONTROL

For easy control at the touch of a switch.



REMOTE CONTROL

For convenient control from anywhere in the room.



BUILDING CONTROL

For complete systematic control.

HAVE CONTROL OF LIGHT AND SHADE AT YOUR FINGERTIPS - MAXIMUM CONVENIENCE, THE LATEST TECHNOLOGY: AUTOMATION BY CRÉATION BAUMANN.

It's great when top-quality textiles, intelligent technology and ease of operation all come together in perfect harmony. The high quality and diversity that characterise Création Baumann products are also features of its automation systems. They use the best hardware and software, to provide you with all the options you could want for perfect control over the interplay of light and shade.

For maximum convenience, reliability and energy efficiency, Création Baumann offers all kinds of control options: classic wall-mounted switches, convenient remote control units and intelligent building control systems incl. user-friendly apps for tablets and smartphones – based on solutions from leading partners.

MORE CONVENIENCE

Big or small: with an automated system, all your fittings to provide privacy and glare protection can be operated quickly and easily.

MORE SECURITY

For day-to-day use or when you are away on holiday: an automated system with active interior shading ensures that your home always looks occupied.

MORE EFFICIENCY

Summer or winter: automation means that sunlight is used and controlled – to keep energy costs at a minimum.

Powered by





ROLLECTRO II

HERE'S HOW SIMPLE ROBUSTNESS CAN BE: THE ROLLECTRO ALL-IN-ONE SYSTEM COMES WITH A MOUNTING PROFILE FOR QUICK CLIP-ON ASSEMBLY - SO YOU CAN FIT YOUR STYLISH BLIND FOR PRIVACY AND GLARE PROTECTION IN NEXT TO NO TIME.

MOTOR

Quiet 230 V electric motor
(max. 50 dB)
Positioned on the left or right
Length of electric cable: 250 cm

WEIGHT BAR

Round profile RO: Ø 24 mm
Flat profile SL: 10 × 25 mm
Flat profile TEX (stitched in)

SOMFY CONTROL SYSTEM

Individual or group control
Manual: Rollectro II
Wireless: Rollectro II RTS
Intermediate stop function

TEXTILES

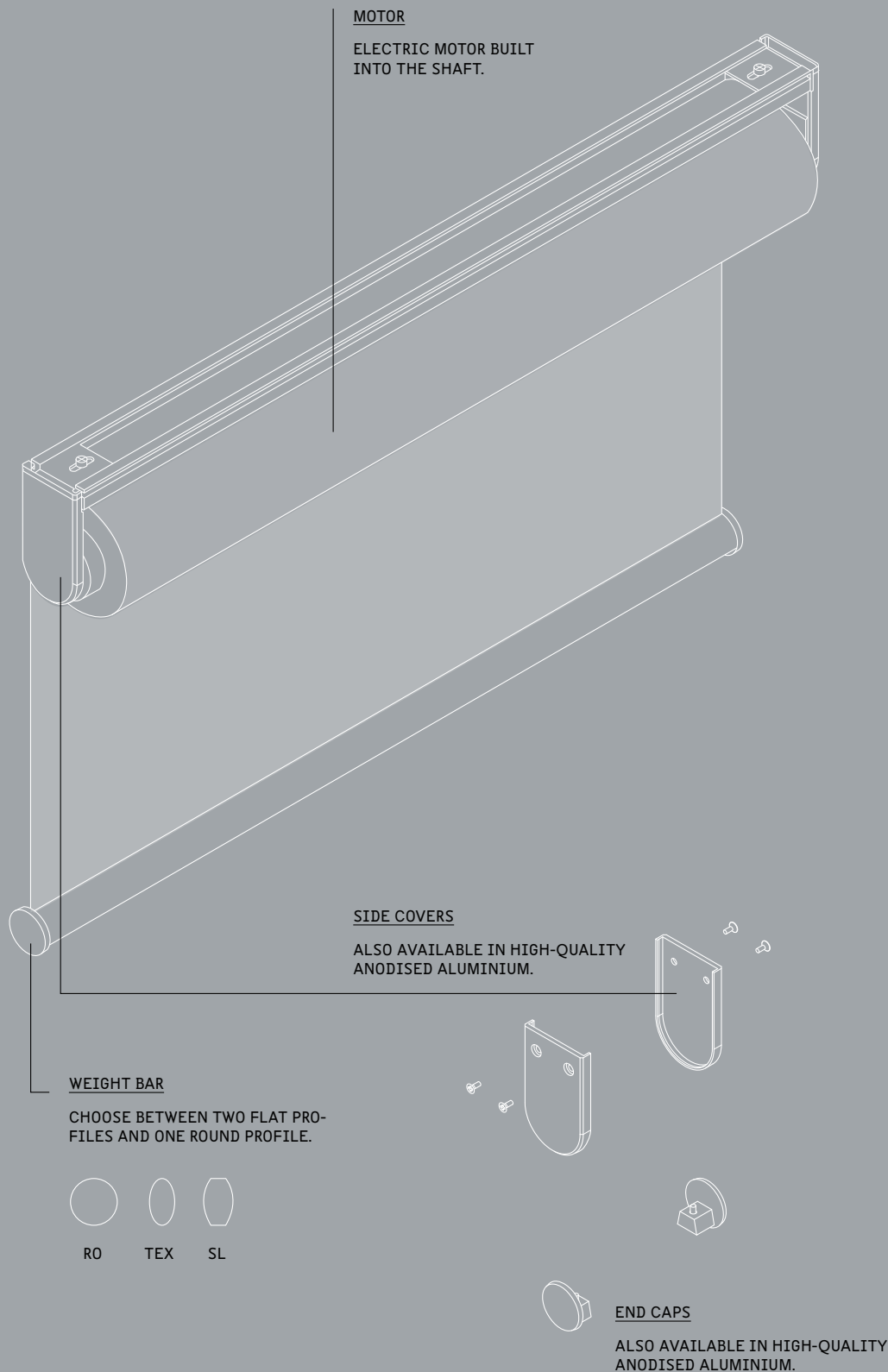
Extensive collection of roller blinds from ALUM R to VECTOR R
Wide range of non-patterned products in all colours from transparent to opaque

DIMENSIONS

Shaft diameter: 46 mm
Maximum width: 250 cm
Maximum height: 360 cm

COLOURS

Aluminium (anodised)
White (powder-coated)
Other colours on request





MEGATRIC POWER

HERE'S HOW FIRST-RATE SIZE CAN BE: MADE OF HIGH-QUALITY MATERIALS, MEGATRIC POWER CAN MOVE EVEN HEAVY TEXTILES EFFORTLESSLY – AND PIANISSIMO.

MOTOR

Quiet 230 V electric motor
(max. 50 dB)
Positioned on the left or right
Length of electric cable: 250 cm

WEIGHT BAR

Round profile RO: Ø 24 mm
Flat profile SL: 10 × 25 mm
Flat profile TEX: 6 × 20 mm (stitched in)

SOMFY CONTROL SYSTEM

Individual or group control
Manual: Megatric Power
Wireless: Megatric Power RTS
Intermediate stop function

TEXTILES

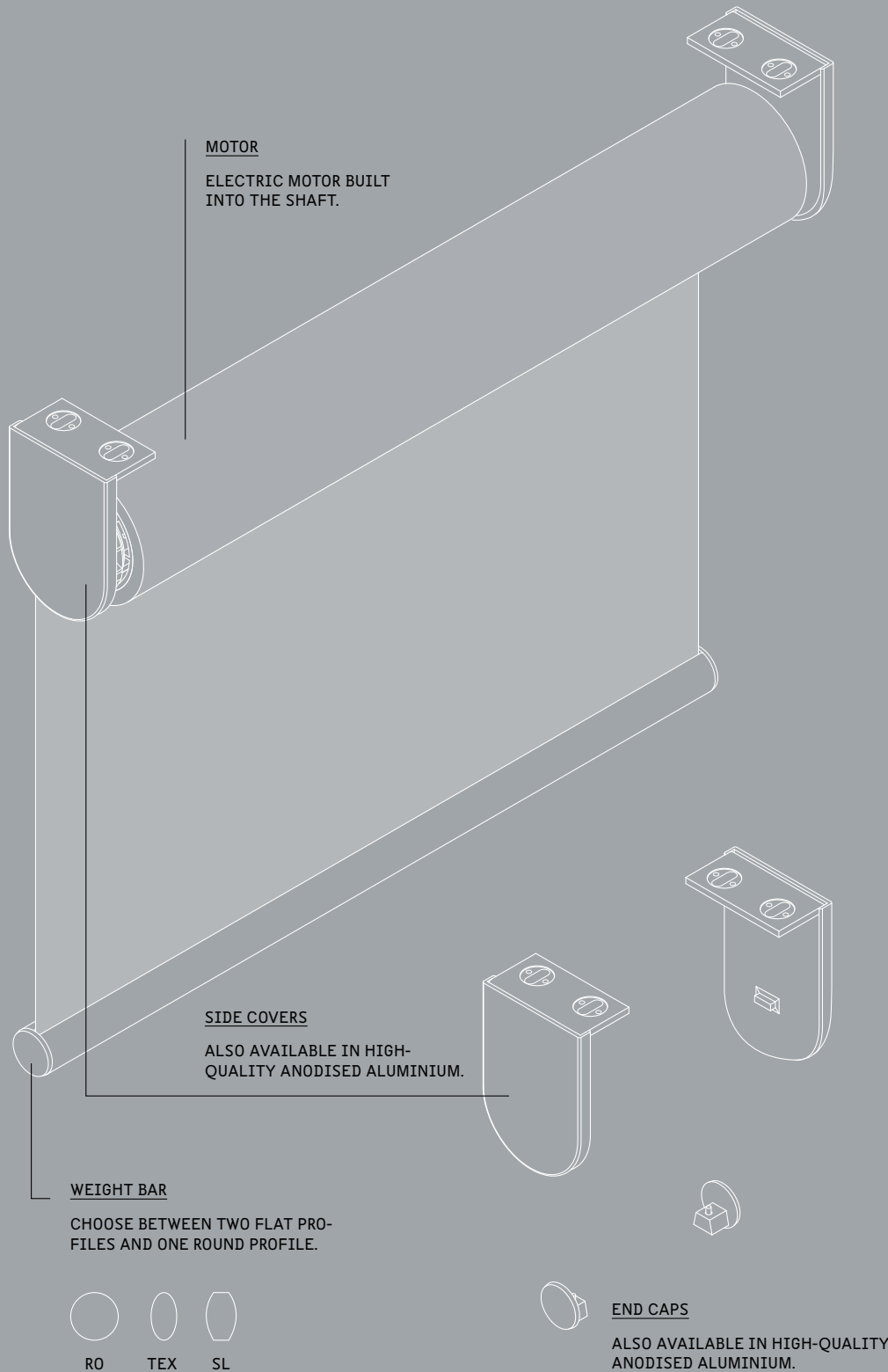
Extensive collection of roller blinds from ALUM R to VECTOR R
Wide range of non-patterned products in all colours from transparent to opaque

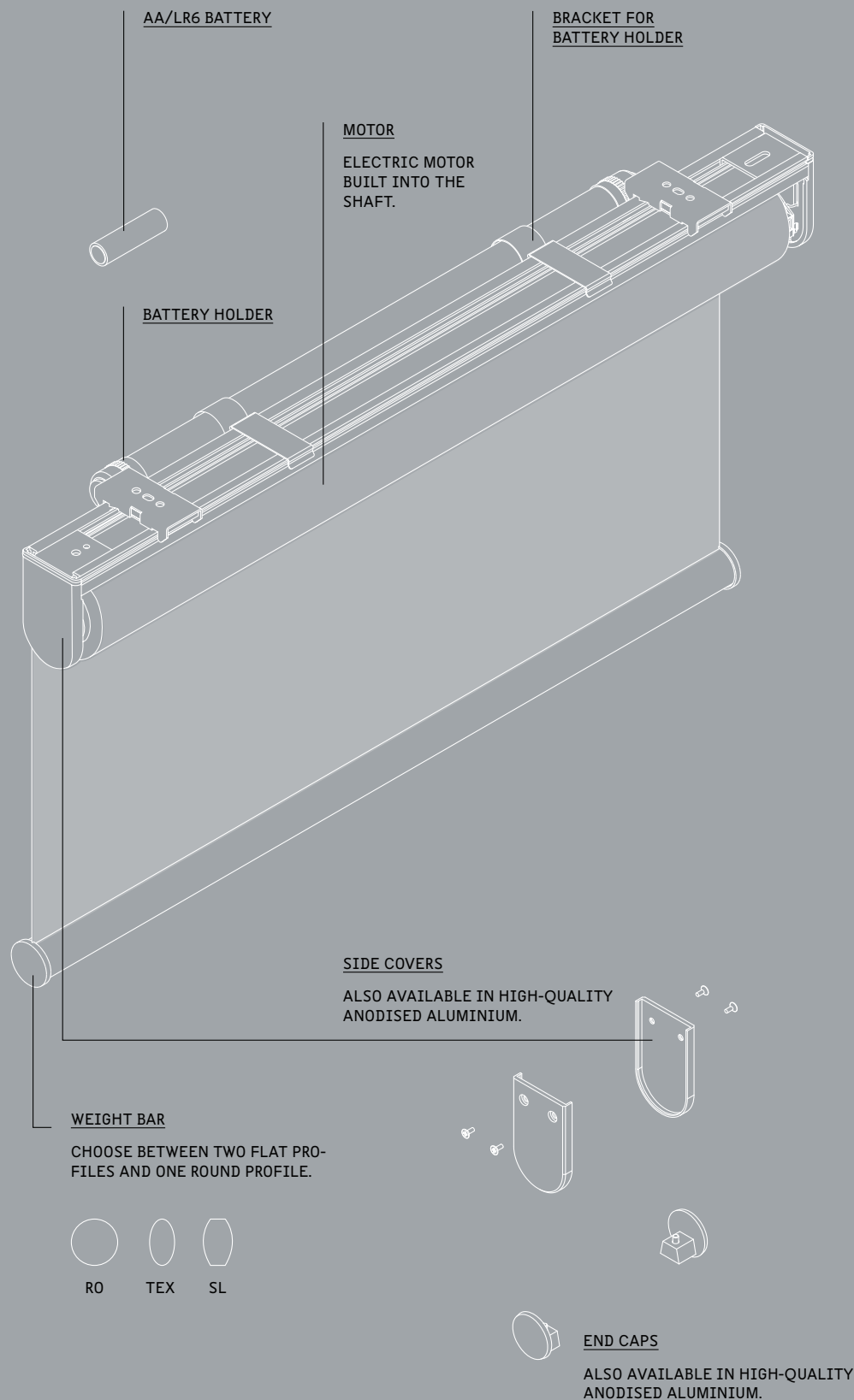
DIMENSIONS

Shaft diameter: 52 mm
Maximum width: 300 cm
Maximum height: 400 cm

COLOURS

Aluminium (anodised)
White (powder-coated)
Other colours on request





ECOTRIC RTS

HERE'S HOW SIMPLE MOTORISATION CAN BE: ECOTRIC RTS WITH A MOUNTING PROFILE FOR QUICK CLIP-ON ASSEMBLY CAN BE FITTED IN NO TIME - READY FOR USE IMMEDIATELY IN ANY LOCATION.

MOTOR

12 V electric motor
Positioned on the left or right
Batteries (AA/LR6 lithium)

WEIGHT BAR

Round profile RO: \varnothing 24 mm
Flat profile SL: 10 × 25 mm
Flat profile TEX: 6 × 20 mm (stitched in)

SOMFY CONTROL SYSTEM

Individual or group control
Integrated RTS receiver
Intermediate stop function

TEXTILES

Extensive collection of roller blinds from ALUM R to VECTOR R
Wide range of non-patterned products in all colours from transparent to opaque

DIMENSIONS

Shaft diameter: 36 mm
Maximum width: 200 cm
Maximum height: 300 cm

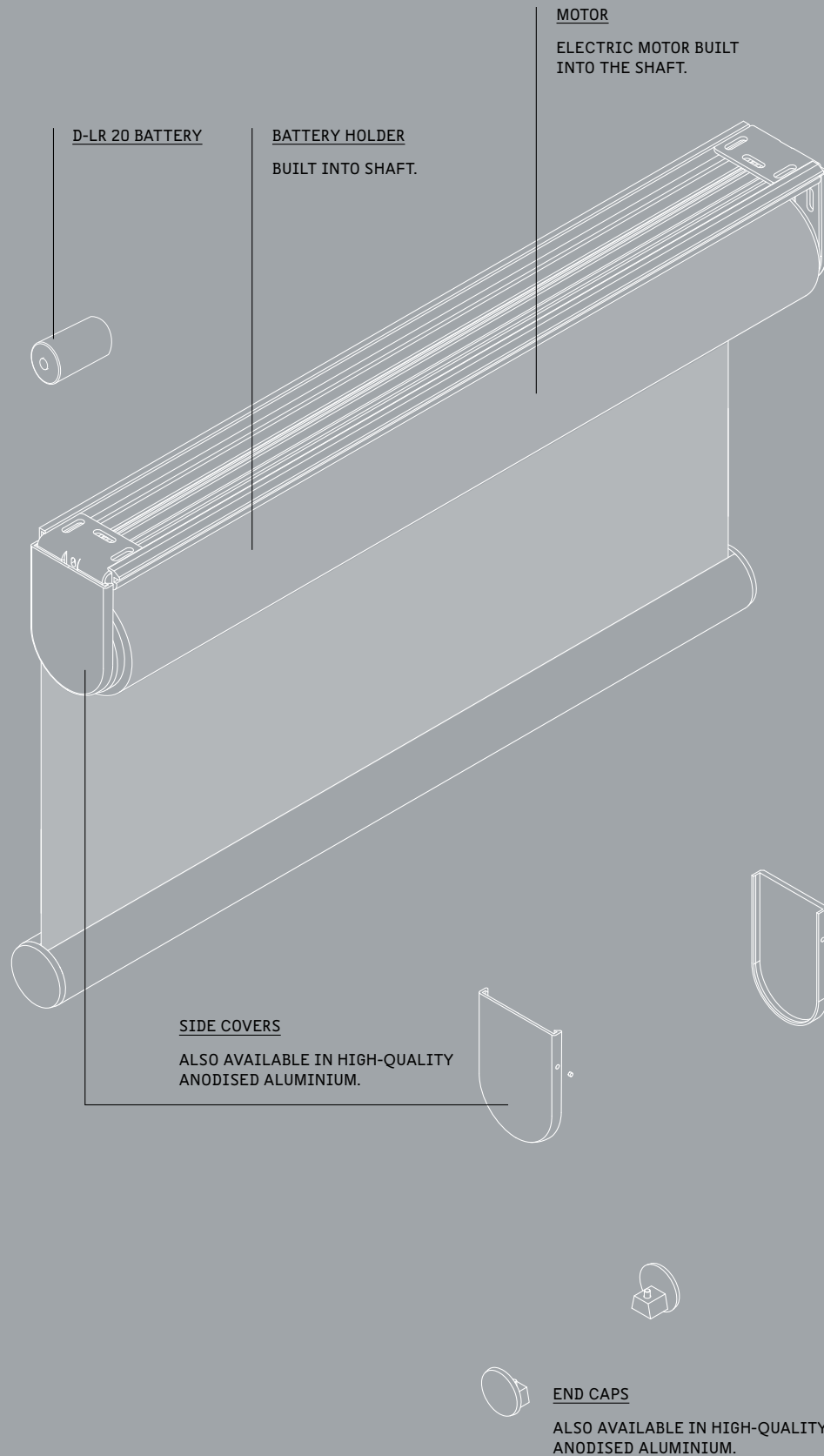
COLOURS

Aluminium (anodised)
White (powder-coated)
Other colours on request

ASSEMBLY

Wireless installation
No electrician required





ECOTRIC PLUS RTS

HERE'S HOW ELEGANT DURABILITY CAN BE: ECOTRIC PLUS RTS WITH A MOUNTING PROFILE FOR QUICK CLIP-ON ASSEMBLY ROLLS SMOOTHLY - AND JUST KEEPS ON ROLLING.

MOTOR

Quiet 24 V electric motor
Batteries (D-LR 20 alkaline)
Battery life: 4–7 years

QMOTION CONTROL

Individual or group control
Integrated RTS receiver
Intermediate stop function
Touch-motion function

DIMENSIONS

Shaft diameter: 51/61 mm
Maximum width: 300 cm
Maximum height: 300 cm

ASSEMBLY

Wireless installation
No electrician required

WEIGHT BAR

Round profile RO: Ø 24 mm

TEXTILES

Extensive collection of roller blinds from ALUM R to VECTOR R
Wide range of non-patterned products in all colours from transparent to opaque

COLOURS

Aluminium (anodised)
White (powder-coated)
Other colours on request





PANTRIC POWER

HERE'S HOW MARVELLOUS COMPATIBILITY CAN BE: PANTRIC POWER WITH ITS NOISE-OPTIMISED MOTOR TURNS DRAWING THE CURTAINS INTO A SILENT PLEASURE.

MOTOR

Quiet 24 V electric motor
Positioned on the left or right
For 4- or 5-track head rail

SOMFY CONTROL SYSTEM

Individual or group control
Manual or remote control

DIMENSIONS

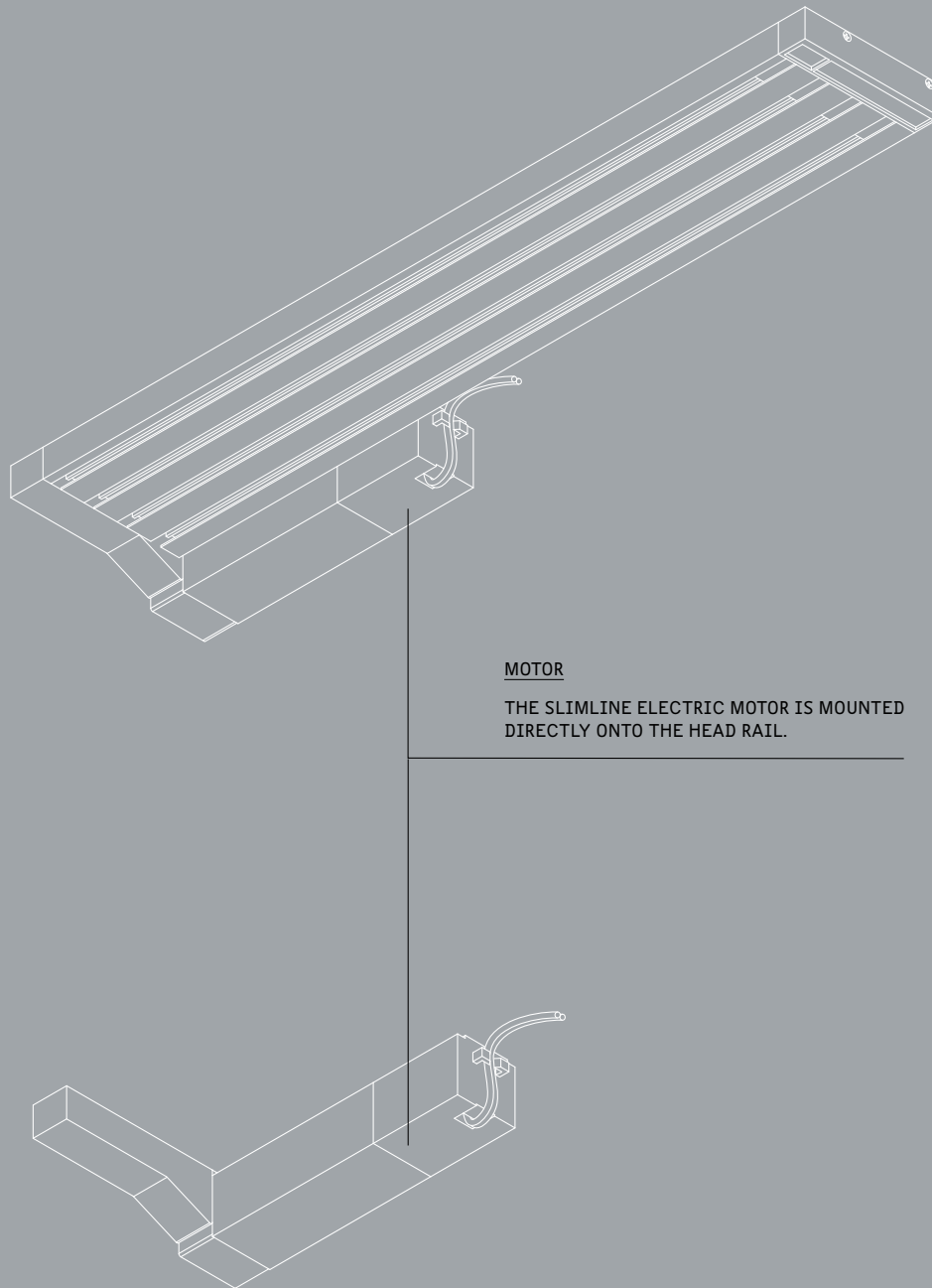
Maximum width: 700 cm
Maximum height: 400 cm

TEXTILES

Extensive collection of panel curtains
Wide range of non-patterned products in all colours from transparent to opaque

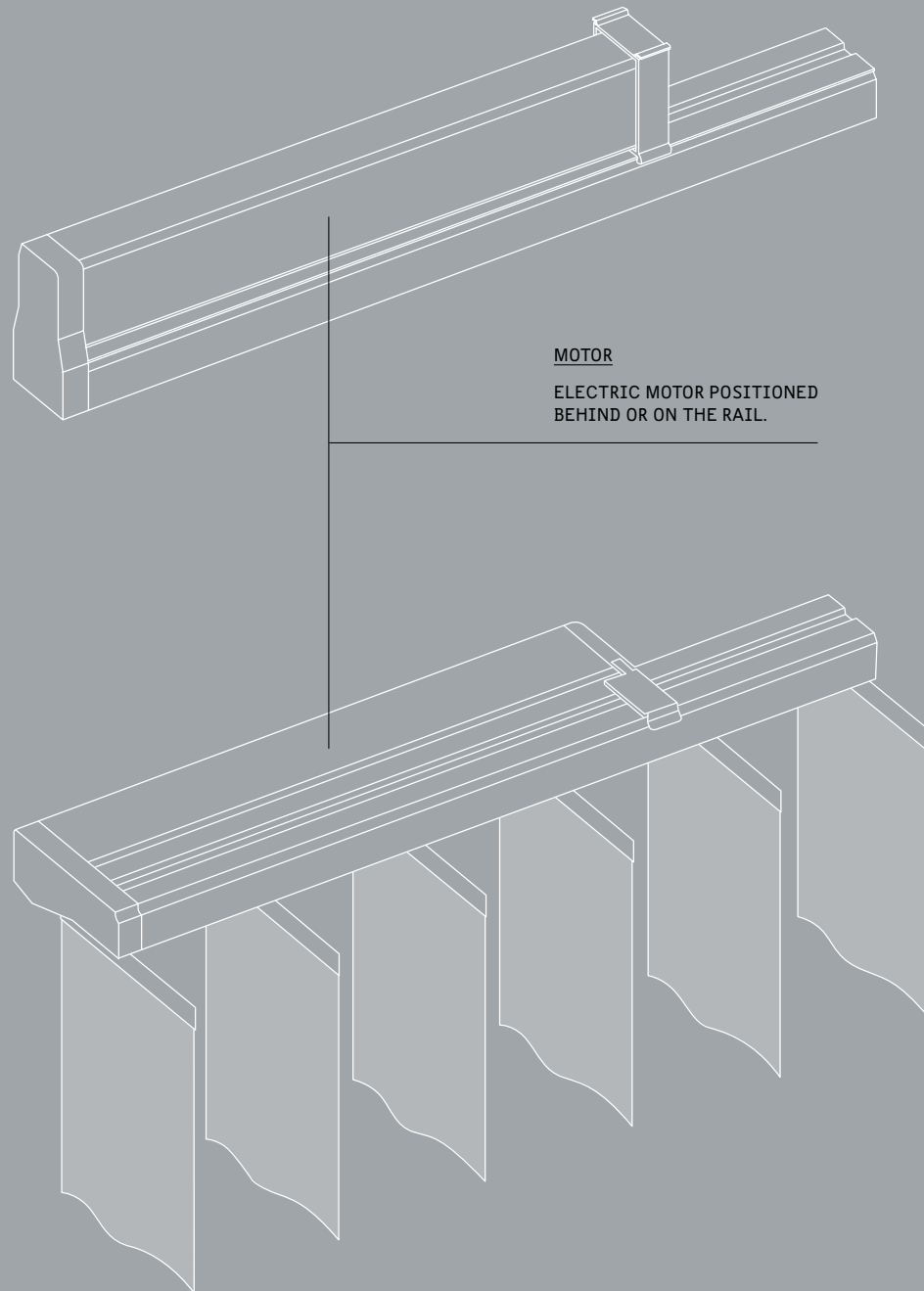
COLOURS

Aluminium (anodised)
White (powder-coated)
Other colours on request



MOTOR

THE SLIMLINE ELECTRIC MOTOR IS MOUNTED DIRECTLY ONTO THE HEAD RAIL.



MOTOR

ELECTRIC MOTOR POSITIONED
BEHIND OR ON THE RAIL.

METRIC POWER

HERE'S HOW STYLISH VERSATILITY CAN BE: THE MODULAR METRIC POWER SYSTEM CREATES A WHOLE NEW WORLD OF VARIATIONS – INCLUDING CUSTOMISED SLAT SETTINGS.

MOTOR

Electric motor for opening, closing and turning the slats
Positioned on the left or right behind the rail (or alternatively on the rail)

SOMFY CONTROL SYSTEM

Individual or group control
Manual: Metric Power
Wireless: Metric Power RTS

DIMENSIONS

Maximum width: 700 cm
Maximum height: 400 cm

SLATS

Widths: 89 or 127 mm
Fitted in one or two sections
Interchangeable carrier hooks

WEIGHTING OF SLATS

Standard plates, welded in
Available with connecting chain on request

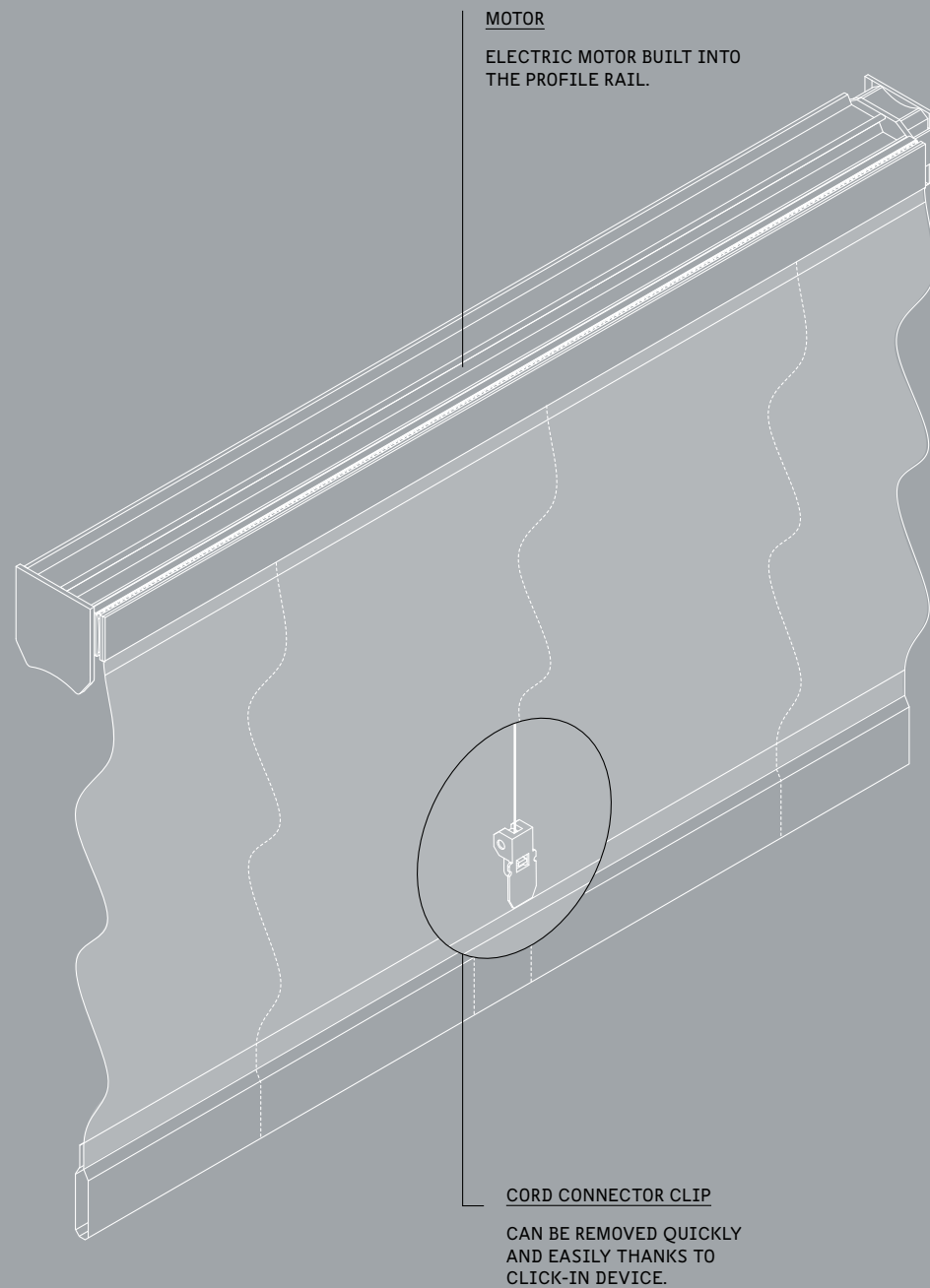
TEXTILES

Extensive collection of vertical blinds
Wide range of non-patterned products in all colours from transparent to opaque

COLOURS

Aluminium (anodised)
White (powder-coated)
Other colours on request





RAFFTRIC MEZZO POWER

HERE'S HOW STRONG DECORATIVE APPEAL CAN BE: RAFFTRIC MEZZO POWER WITH BUILT-IN END POSITION CUT-OFF IS POWERFUL ENOUGH TO RAISE AND LOWER EVEN HEAVY FABRICS.

MOTOR

Quiet 24 V electric motor
Positioned on the left or right

SOMFY CONTROL SYSTEM

Individual or group control
Manual or remote control

DIMENSIONS

Maximum width: 300 cm
Maximum height: 300 cm

CURTAIN

Curtain can be removed quickly
and easily for cleaning thanks to
cord connector clip

TEXTILES

Extensive range of textile Roman
blinds
Wide range of non-patterned
products in all colours from trans-
parent to opaque

COLOURS

Aluminium (anodised)
White (powder-coated)





MONOTRAC POWER

HERE'S HOW CONVENIENT EFFICIENCY CAN BE: MONOTRAC POWER GETS YOUR TEXTILE INSPIRATION ON TRACK QUICKLY AND EASILY, AT THE PRESS OF A BUTTON – SOFT TO START, SOFT TO STOP.

MOTOR

Quiet 24 V electric motor
Positioned on the left or right,
above or below

SOMFY CONTROL SYSTEM

Individual or group control
Manual: Monotrac Power
Wireless: Monotrac Power RTS
Integrated touch-motion function
Electronic end position cut-off

DIMENSIONS

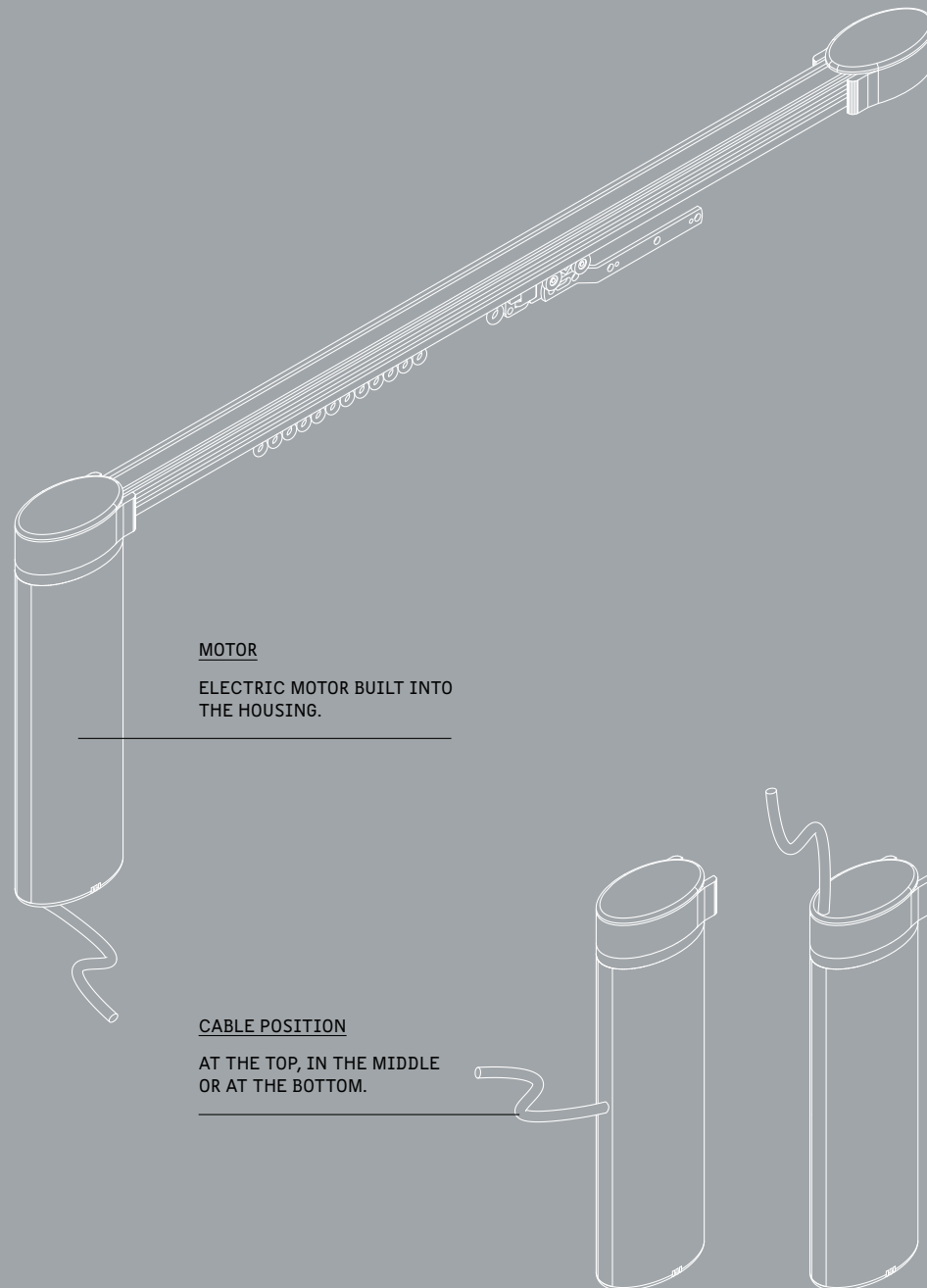
Maximum width: 1200 cm
Maximum height: 300 cm

TEXTILES

Curtain collection comprising 600
items in 6000 variations
Wide range of non-patterned
products in all colours from trans-
parent to opaque

COLOURS

Aluminium (anodised)
White (powder-coated)



MOTOR

ELECTRIC MOTOR BUILT INTO
THE HOUSING.

CABLE POSITION

AT THE TOP, IN THE MIDDLE
OR AT THE BOTTOM.