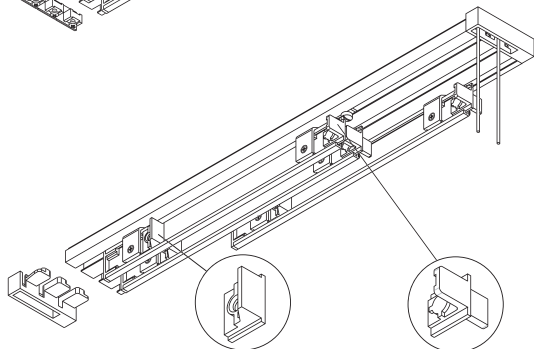
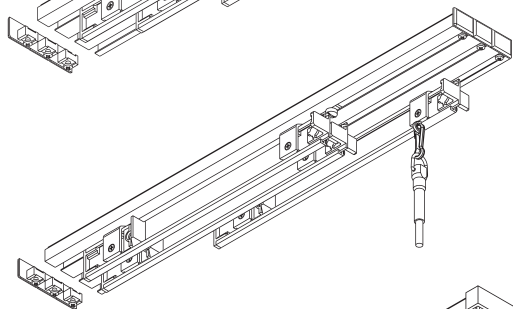
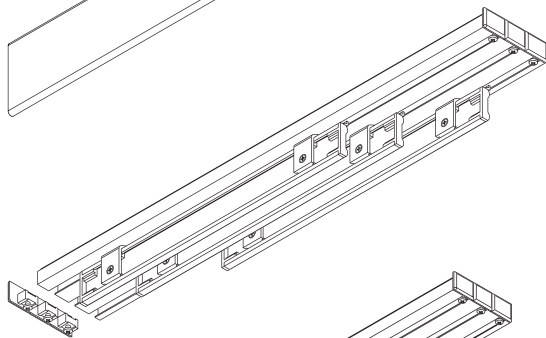
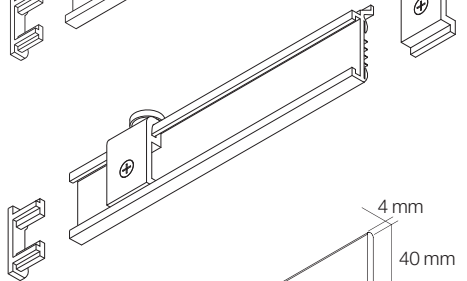
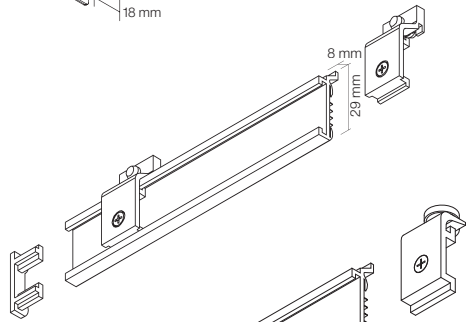
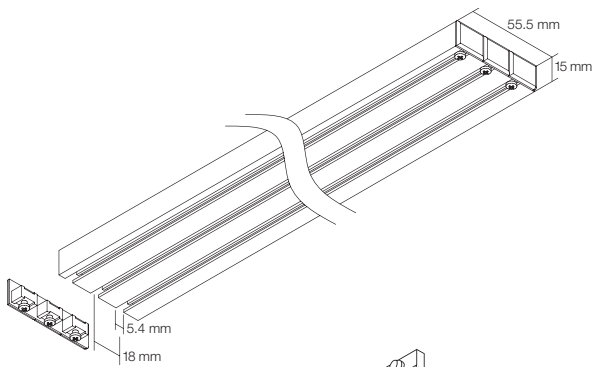
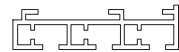


# PANTRIC 3 TECHNIQUE



**Track** Extruded aluminium, three barrels with adjacent draw cord channel

**Colours** Standard anodized aluminium  
Standard white RAL 9016  
Other colours upon inquiry

**Size of system** Width up to approx. 600 cm  
Height up to approx. 300 cm

**Sliding element** Extruded aluminium,  
Velcro stripe pressed into aluminium  
With runner

With round-head glider to insert at a later stage to the Pantric track or curtain track with opening. Suitable for channels of approx. 5,5–6,5 mm

**Colours** Standard anodized aluminium  
Standard white RAL 9016  
Other colours upon inquiry

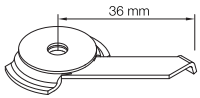
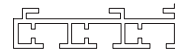
**Weighting** Extruded aluminium

**Operation** variably and individually movable by hand

**Operation** whirling rod – either individually or in groups

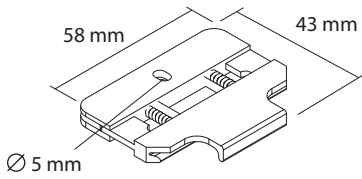
**Operation** draw cord – in groups

# PANTRIC 3 INSTALLATION



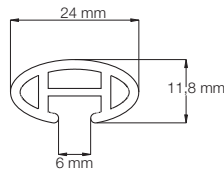
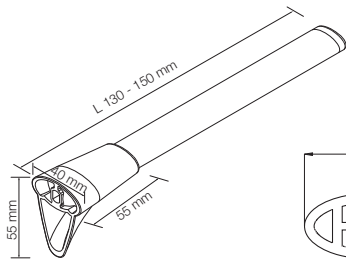
**Tension jack** Ceiling fixation with tension jack for PANTRIC 2 and 3

**Clip** Easy and quick ceiling fixation with plastic clip for Pantric 2 and 3



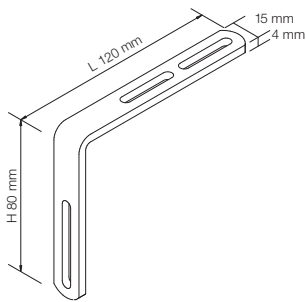
**Universal brackets** Wall fixation with aluminium brackets, cutting to size on site possible

**Colours** Standard anodized aluminium  
Standard white RAL 9016  
Other colours upon inquiry



**Measurements**

Length	Height
approx. 130–150 mm	approx. 55 mm
approx. 180–200 mm	approx. 55 mm
approx. 230–250 mm	approx. 55 mm

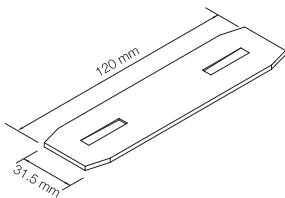


**Wall support** Fixing to wall with galvanized metal support

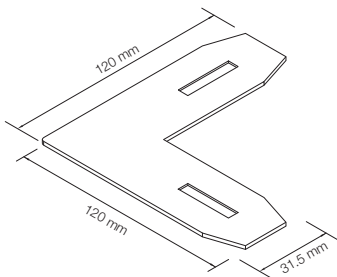
**Colours** Standard galvanized grey  
Standard white RAL 9016  
Other colours upon inquiry

**Measurements**

Length	Height
approx. 50 mm	approx. 60 mm
approx. 80 mm	approx. 80 mm
approx. 100 mm	approx. 80 mm
approx. 120 mm	approx. 80 mm
approx. 150 mm	approx. 80 mm
approx. 180 mm	approx. 100 mm

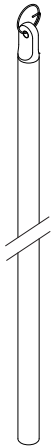


**Profile connector** with clamping function for track PANTRIC 2 and 3



**Corner connector 90°** with clamping function for 90° mitreing to track PANTRIC 2 and 3

# ACCESSORIES



Aluminium whirling rod Aluminium, round rod 10 mm diameter, with ring pin

Colours Standard anodized aluminium  
Standard white RAL 9016  
Other colours upon inquiry

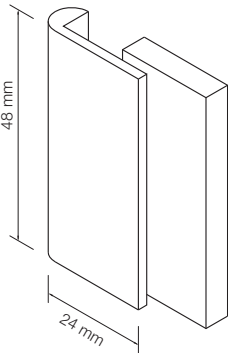
Lengths 75 cm  
100 cm  
125 cm  
150 cm



Steel whirling rod Steel, sheathed in plastic, 5 mm diameter, with trigger snap

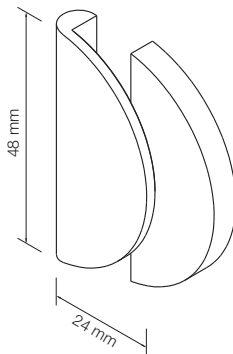
Colours Standard white RAL 9016

Lengths 75 cm  
100 cm  
125 cm  
150 cm  
200 cm



Grip RE Grip element, aluminium, two parts with magnet

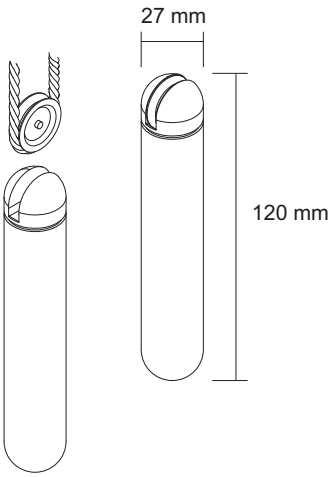
Colour Anodized aluminium



Grip SE Grip element, aluminium, two parts with magnet

Colour Anodized aluminium

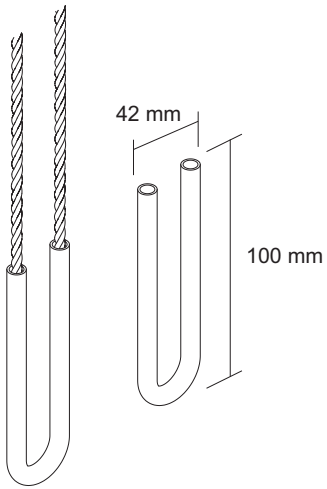
# ACCESSORIES



Weight of cord in plastic

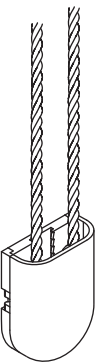
Colours white  
grey

On-site installation



Weight of chain In stainless steel  
INOX 90 Weight 90 g

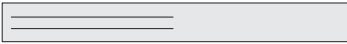
Factory-made installation



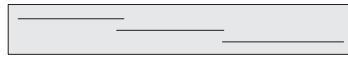
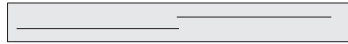
SAFETY I Cord tensioner for child safety, keep  
cord out of the reach of children

# FUNCTIONS

## Variably



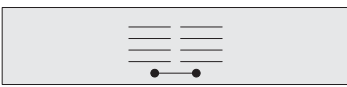
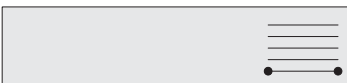
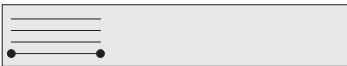
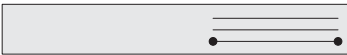
## Individually movable



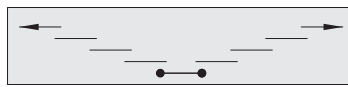
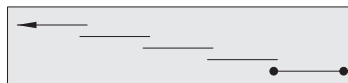
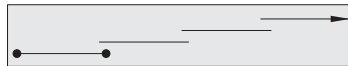
Please find in the following some illustrations of possible sliding element arrangements as well as package forming possibilities.

The fixed sliding element is situated in the front barrel and is fully visible. Overlap of panel approx. 5 cm

## Whirling rod



## Connected movable



Please sketch the arrangement of the sliding elements on your order form. VIEW FROM THE TOP.

The following functions can be noted on the sketch:

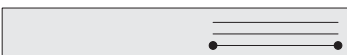
\_\_\_\_\_ Sliding elements variably movable

\_\_\_\_\_ X Sliding element with whirling rod

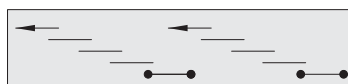
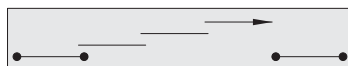
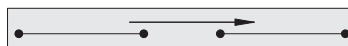
\_\_\_\_\_ Connected sliding rod

\_\_\_\_\_ Sliding element stopped with position fixing element

## Draw cord / Power 24 V



## Connected movable



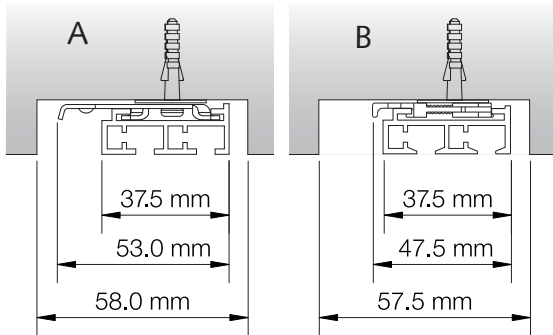
An example of the calculation of the length of the sliding elements:

$$\frac{\text{System width} \cdot 5,0 \text{ cm}}{\text{Number of sliding elements}} + 5 \text{ cm}$$

# MEASURING AND INSTALLATION

Installation in the groove

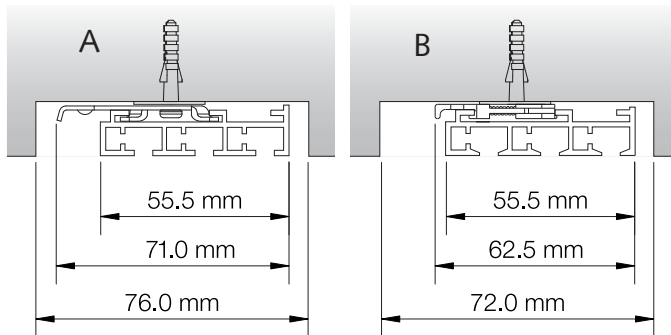
Space requirements in the case of installation with tension jacks in a groove:



PANTRIC 2

A Tension jack

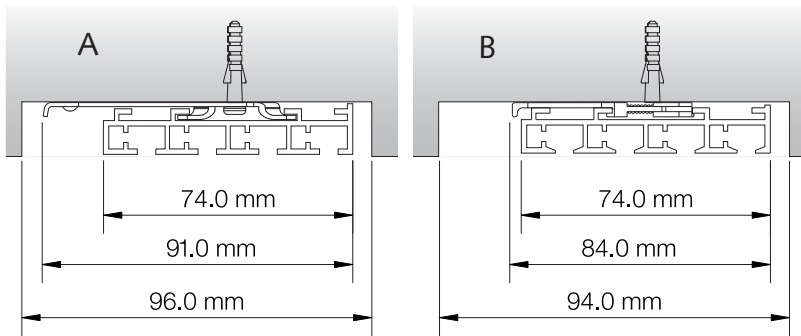
B Clip



PANTRIC 3

A Tension jack

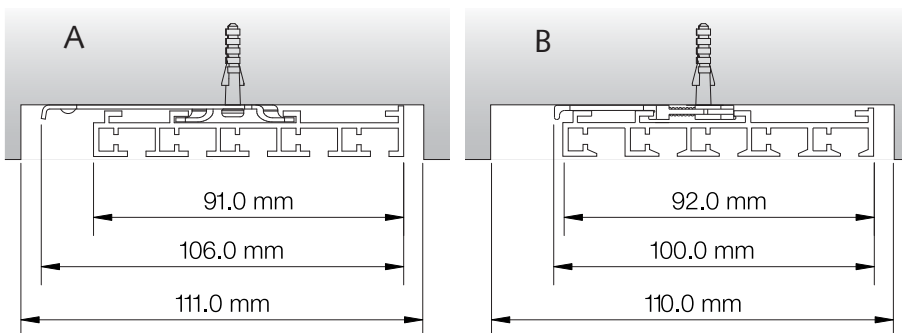
B Clip



PANTRIC 4

A Tension jack

B Clip

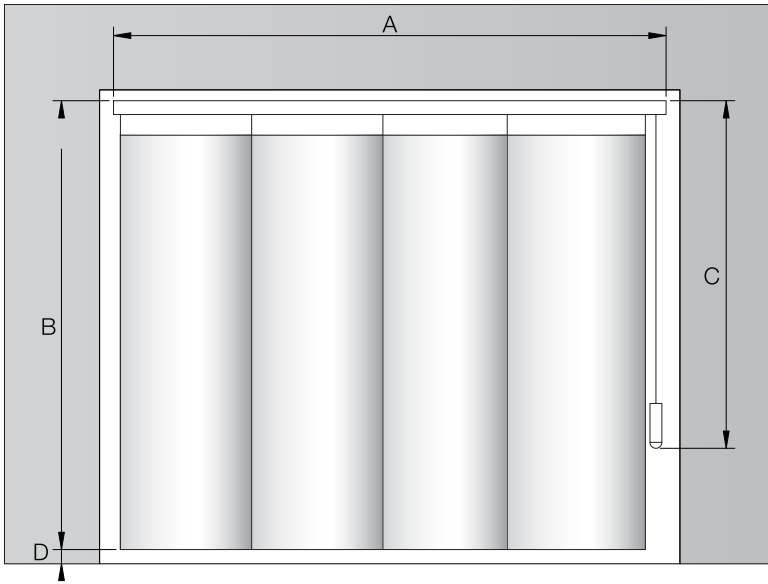


PANTRIC 5

A Tension jack

B Clip

# MEASURING AND INSTALLATION

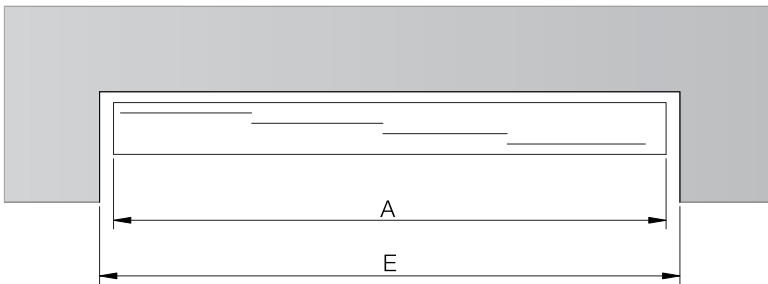


## Measuring

The panel track systems are customized. System widths of up to approx. 600 cm (max.) and system heights of up to approx. 300 cm (max.) are possible.

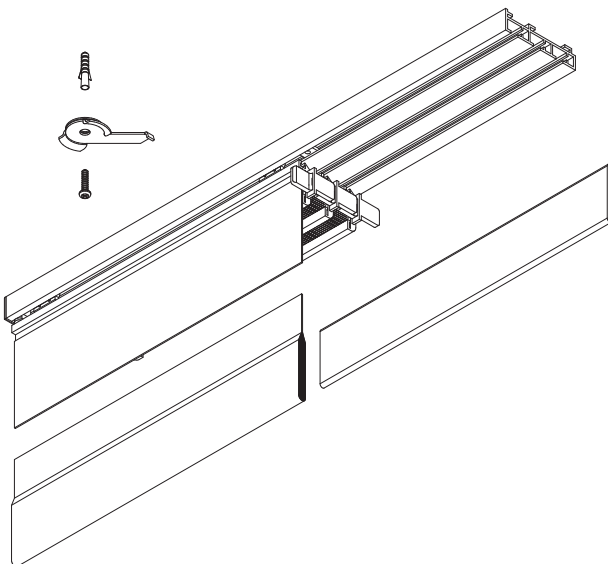
Larger widths / heights upon inquiry.

- A System width: The width of the panel track systems
- B System height: From the upper edge of the track to the lower edge of the fabric panels
- C Please indicate the drawing side and length of the draw cord
- D Distance to floor



In the case of window niches or wall-to-wall installations, deduct approx. 1 cm from the niche, that is to say from the wall-to-wall measurements.

- E Width of niche
- A System width = niche width, minus 1 cm



## Installation

- Higher track side in room direction
- Position a tension jack at 5 cm from each track end as well as every 50 cm
- Position the tension jack arm in window direction
- Position the weighting in the lower hollow space of the fabric panels
- Fix the fabric panel with Velcro to the sliding element

Our comprehensive range and a complete list of our global sales outlets can be found at [www.creationbaumann.com](http://www.creationbaumann.com).

05/2013

Création Baumann AG  
Bern-Zürich-Strasse 23 | CH-4901 Langenthal  
Telephone +41 (0)62 919 62 62 | Fax +41 (0)62 922 45 47  
[mail@creationbaumann.com](mailto:mail@creationbaumann.com) | [www.creationbaumann.com](http://www.creationbaumann.com)

*Création* **baumann**