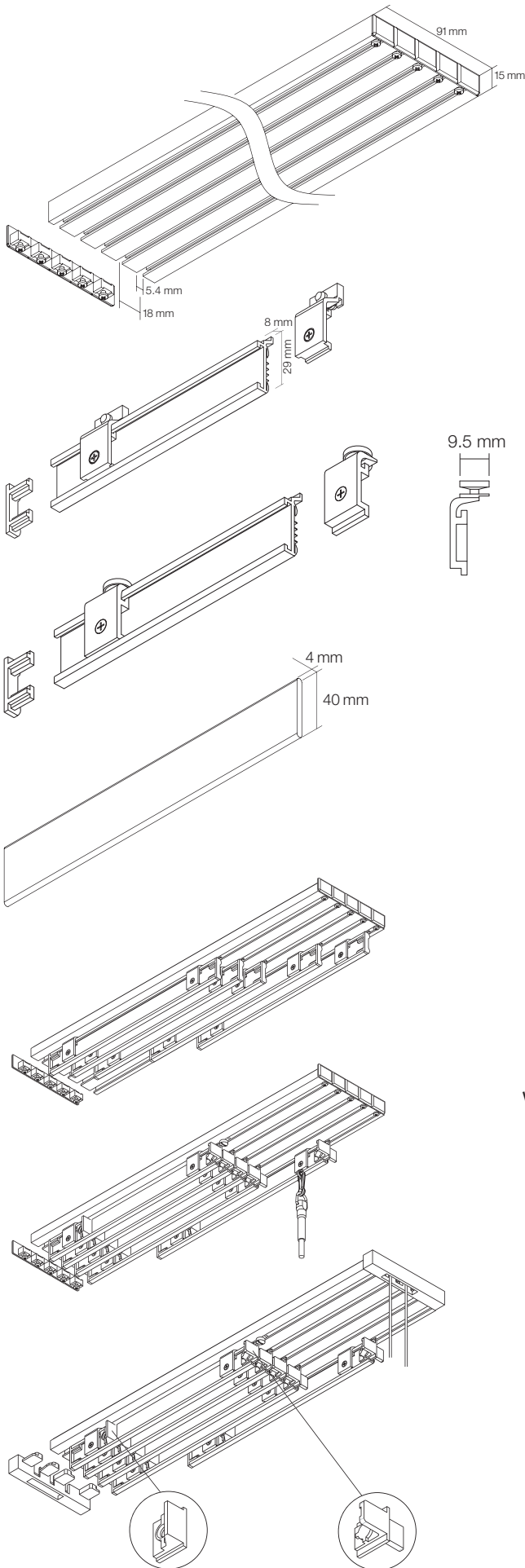
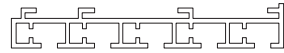
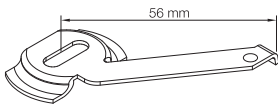
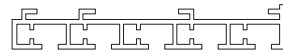


PANTRIC 5 TECHNIQUE

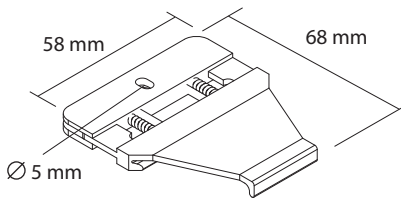


Track	Extruded aluminium, five barrels with adjacent draw cord channel
Colours	Standard anodized aluminium Standard white RAL 9016 Other colours upon inquiry
Size of system	Width up to approx. 600 cm Height up to approx. 300 cm
Sliding element	Extruded aluminium, Velcro stripe pressed into aluminium With runner With round-head glider to insert at a later stage to the Pantric track or curtain track with opening. Suitable for channels of approx. 5,5–6,5 mm
Colours	Standard anodized aluminium Standard white RAL 9016 Other colours upon inquiry
Weighting	Extruded aluminium
Operation	variously movable
Operation	whirling rod
Operation	draw cord

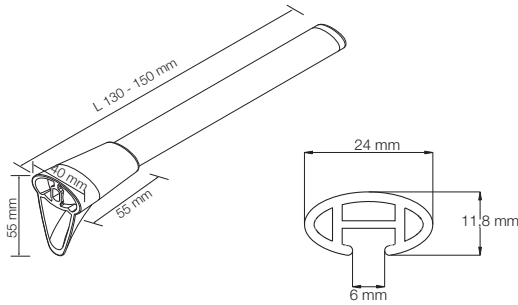
PANTRIC 5 INSTALLATION



Tension jack Ceiling fixation with tension jack for PANTRIC 4 and 5



Clip Easy and quick ceiling fixation with plastic clip for Pantric 4 and 5

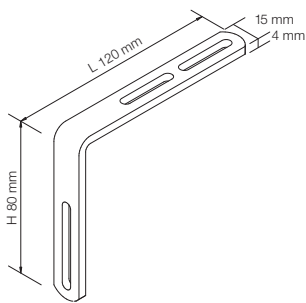


Universal brackets Wall fixation with aluminium brackets, cutting to size on site possible

Colours Standard anodized aluminium
Standard white RAL 9016
Other colours upon inquiry

Measurements

Length	Height
approx. 130–150 mm	approx. 55 mm
approx. 180–200 mm	approx. 55 mm
approx. 230–250 mm	approx. 55 mm

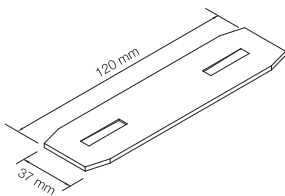


Wall support Fixing to wall with galvanized metal support

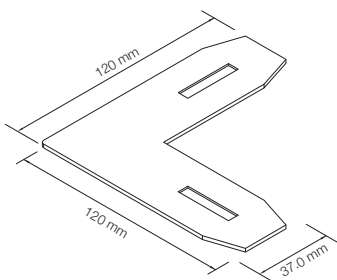
Colours Standard galvanized grey
Standard white RAL 9016
Other colours upon inquiry

Measurements

Length	Height
approx. 50 mm	approx. 60 mm
approx. 80 mm	approx. 80 mm
approx. 100 mm	approx. 80 mm
approx. 120 mm	approx. 80 mm
approx. 150 mm	approx. 80 mm
approx. 180 mm	approx. 100 mm

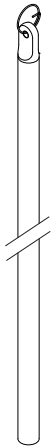


Profile connector with clamping function for track PANTRIC 4 and 5



Corner connector 90° with clamping function for 90° mitring to track PANTRIC 4 and 5

ACCESSORIES



Aluminium whirling rod Aluminium, round rod 10 mm diameter, with ring pin

Colours Standard anodized aluminium
Standard white RAL 9016
Other colours upon inquiry

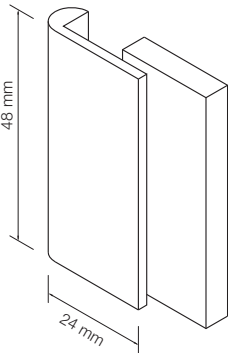
Lengths 75 cm
100 cm
125 cm
150 cm



Steel whirling rod Steel, sheathed in plastic, 5 mm diameter, with trigger snap

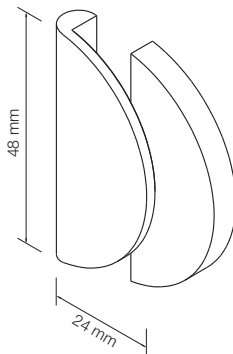
Colours Standard white RAL 9016

Lengths 75 cm
100 cm
125 cm
150 cm
200 cm



Grip RE Grip element, aluminium, two parts with magnet

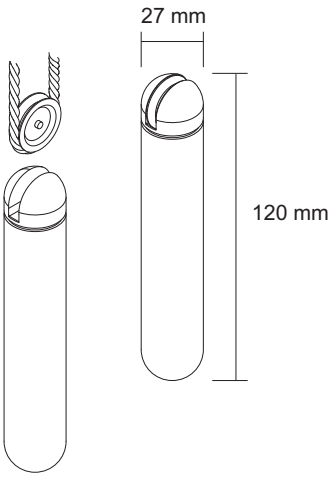
Colour Anodized aluminium



Grip SE Grip element, aluminium, two parts with magnet

Colour Anodized aluminium

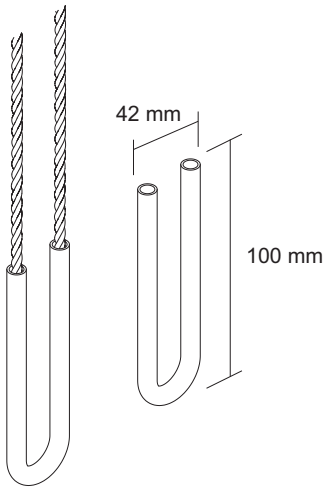
ACCESSORIES



Weight of cord in plastic

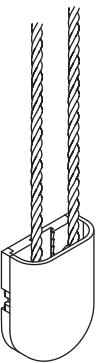
Colours white
grey

On-site installation



Weight of chain In stainless steel
INOX 90 Weight 90 g

Factory-made installation



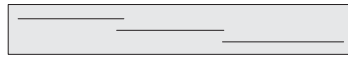
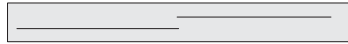
SAFETY I Cord tensioner for child safety, keep
cord out of the reach of children

FUNCTIONS

Variably



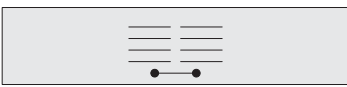
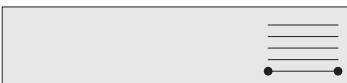
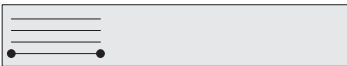
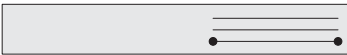
Individually movable



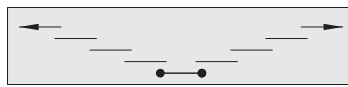
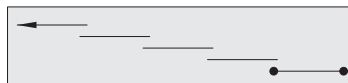
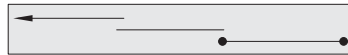
Please find in the following some illustrations of possible sliding element arrangements as well as package forming possibilities.

The fixed sliding element is situated in the front barrel and is fully visible. Overlap of panel approx. 5 cm

Whirling rod



Connected movable



Please sketch the arrangement of the sliding elements on your order form. VIEW FROM THE TOP.

The following functions can be noted on the sketch:

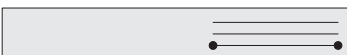
_____ Sliding elements variably movable

_____ X Sliding element with whirling rod

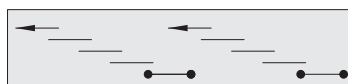
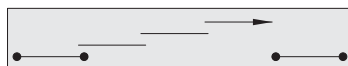
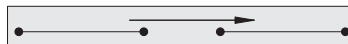
_____ Connected sliding rod

_____ Sliding element stopped with position fixing element

Draw cord / Power 24 V



Connected movable



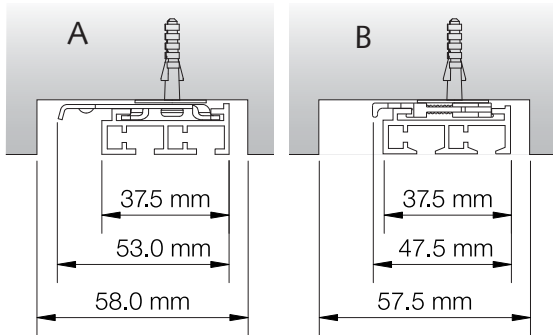
An example of the calculation of the length of the sliding elements:

$$\frac{\text{System width} \cdot 5,0 \text{ cm}}{\text{Number of sliding elements}} + 5 \text{ cm}$$

MEASURING AND INSTALLATION

Installation in the groove

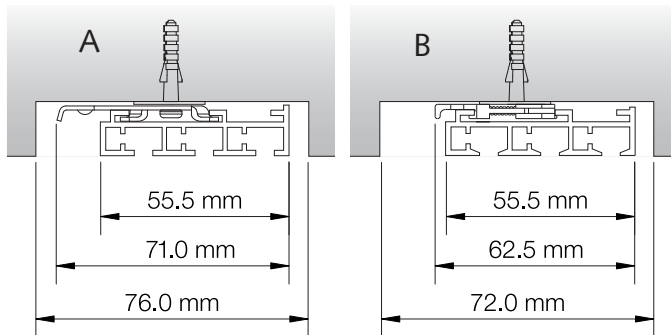
Space requirements in the case of installation with tension jacks in a groove:



PANTRIC 2

A Tension jack

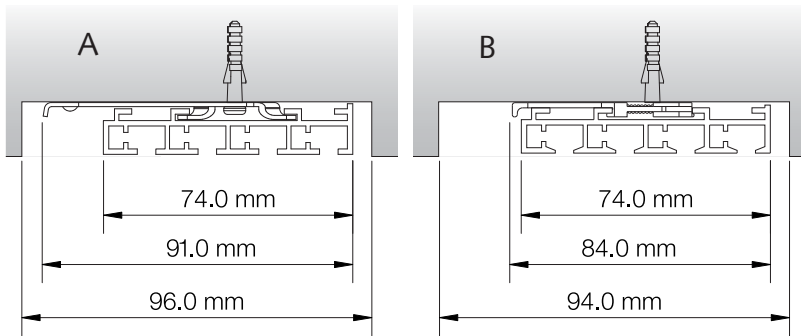
B Clip



PANTRIC 3

A Tension jack

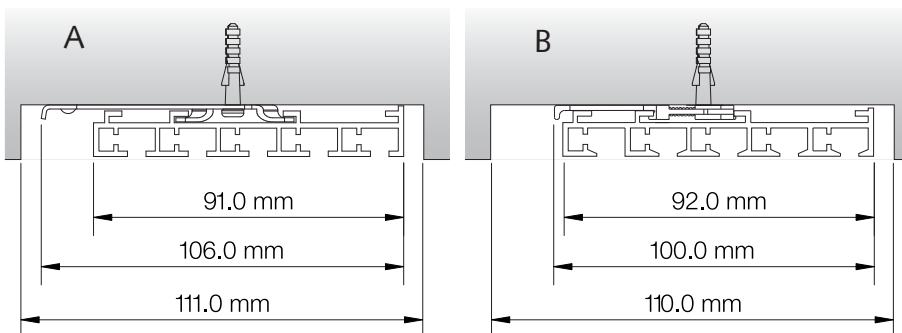
B Clip



PANTRIC 4

A Tension jack

B Clip

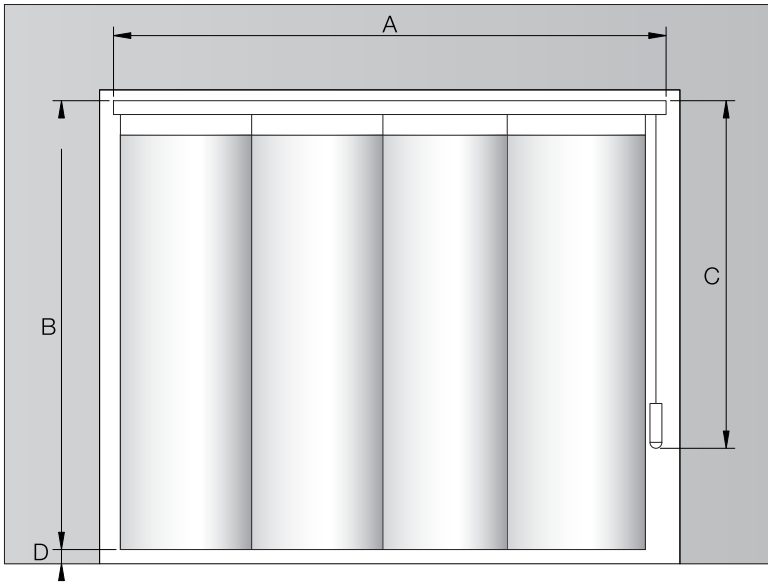


PANTRIC 5

A Tension jack

B Clip

MEASURING AND INSTALLATION

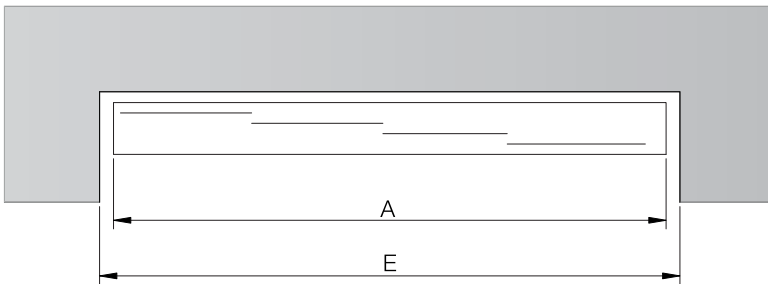


Measuring

The panel track systems are customized. System widths of up to approx. 600 cm (max.) and system heights of up to approx. 300 cm (max.) are possible.

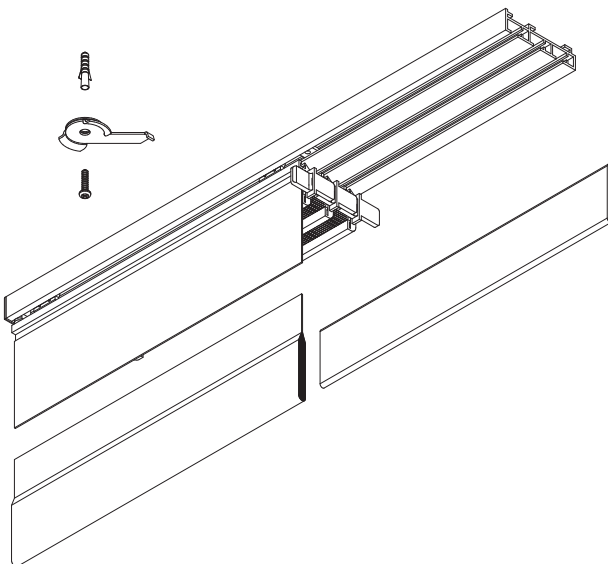
Larger widths / heights upon inquiry.

- A System width: The width of the panel track systems
- B System height: From the upper edge of the track to the lower edge of the fabric panels
- C Please indicate the drawing side and length of the draw cord
- D Distance to floor



In the case of window niches or wall-to-wall installations, deduct approx. 1 cm from the niche, that is to say from the wall-to-wall measurements.

- E Width of niche
- A System width = niche width, minus 1 cm



Installation

- Higher track side in room direction
- Position a tension jack at 5 cm from each track end as well as every 50 cm
- Position the tension jack arm in window direction
- Position the weighting in the lower hollow space of the fabric panels
- Fix the fabric panel with Velcro to the sliding element

Our comprehensive range and a complete list of our global sales outlets can be found at www.creationbaumann.com.

05/2013

Création Baumann AG
Bern-Zürich-Strasse 23 | CH-4901 Langenthal
Telephone +41 (0)62 919 62 62 | Fax +41 (0)62 922 45 47
mail@creationbaumann.com | www.creationbaumann.com

Création **baumann**