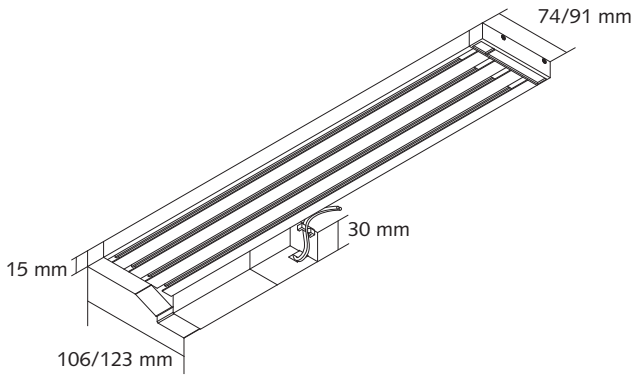


# PANTRIC POWER 24 V TECHNIQUE



Electrical traction

Use for upper rail PANTRIC 4 and 5, assembled, a chain sets the sliding elements in motion, end position set at the works

Right or left option for positioning drive behind the track

Colours

Standard anodized aluminium  
Standard white RAL 9016  
Other colours upon inquiry

Size of system

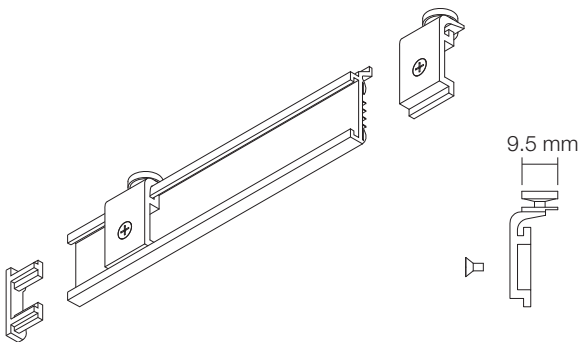
Width up to approx. 600 cm  
Height up to approx. 300 cm

Sliding element

Extruded aluminium,  
Velcro stripe pressed into aluminium  
With round head glider

Colours

Standard anodized aluminium  
Standard white RAL 9016  
Other colours upon inquiry



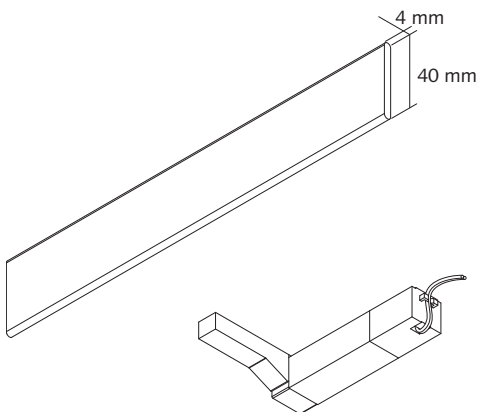
Weighting

Extruded aluminium

Motor

24 volt DC motor, noise reduced,  
height 30 mm, integrated mechanical limit

Voltage 24 Volts DC  
Rated current 300 mA  
Max. weight load 15 kg total  
Speed abt. 4 m/min.  
Temperatur -10° C up to +60° C

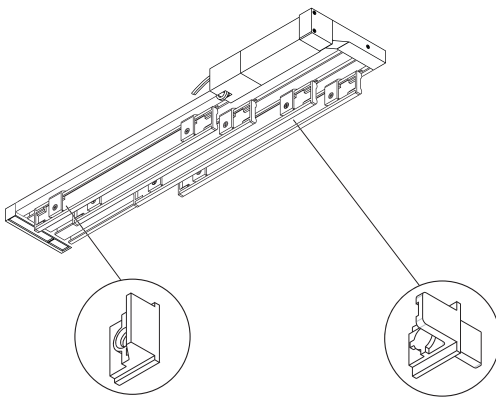


Colours motor

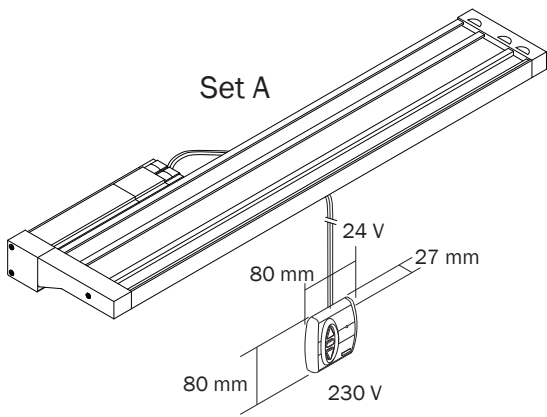
Standard white RAL 9016

Operation

Panels movable in groups

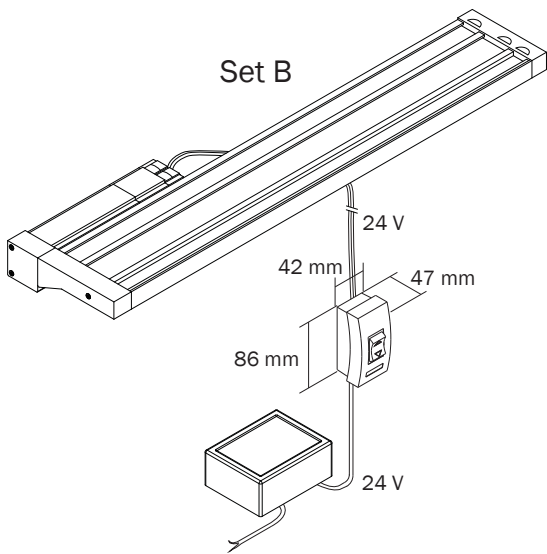


# PANTRIC POWER 24 V ⚡ TECHNIQUE

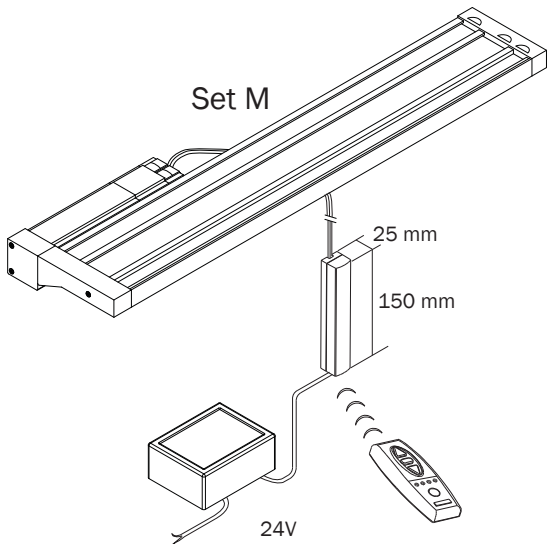


Operation/  
contoller

Set A: Switch with integrated trans-  
former (INIS DC) 230/24 volt,  
colour white



Set B: White pole reverser switch  
230/24 volt transformer with  
230 volt cable/connector as  
well as 24 volt cable

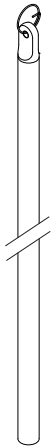


Set M: Radio receiver set (DC-RTS)  
24 volt white version with  
1-channel white radio hand-  
held transmitter (Telis 1 RTS)  
and 230/24 volt transformer  
with 230 volt cable/connector  
as well as 24 volt cable

Group control

Group control as of two installations  
upon inquiry

# ACCESSORIES



Aluminium whirling rod Aluminium, round rod  
10 mm diameter, with ring pin

Colours Standard anodized aluminium  
Standard white RAL 9016  
Other colours upon inquiry

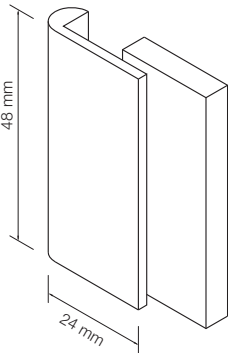
Lengths 75 cm  
100 cm  
125 cm  
150 cm



Steel whirling rod Steel, sheathed in plastic,  
5 mm diameter, with trigger snap

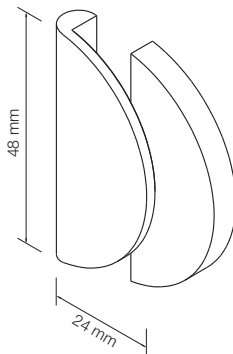
Colours Standard white RAL 9016

Lengths 75 cm  
100 cm  
125 cm  
150 cm  
200 cm



Grip RE Grip element, aluminium, two parts  
with magnet

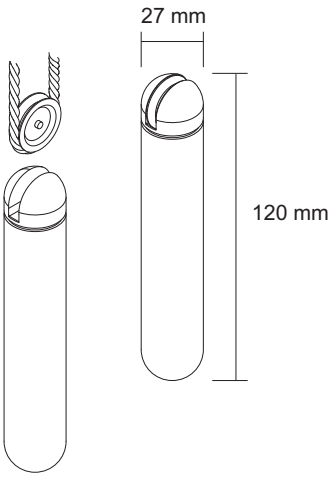
Colour Anodized aluminium



Grip SE Grip element, aluminium, two parts  
with magnet

Colour Anodized aluminium

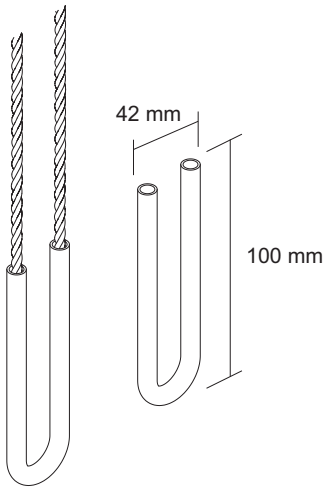
# ACCESSORIES



Weight of cord in plastic

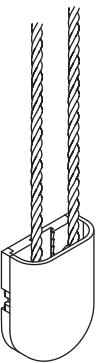
Colours white  
grey

On-site installation



Weight of chain In stainless steel  
INOX 90 Weight 90 g

Factory-made installation



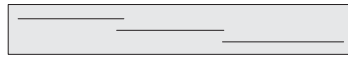
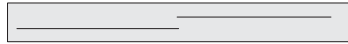
SAFETY I Cord tensioner for child safety, keep  
cord out of the reach of children

# FUNCTIONS

## Variably



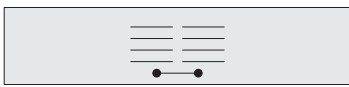
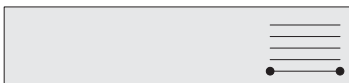
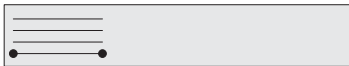
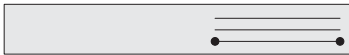
## Individually movable



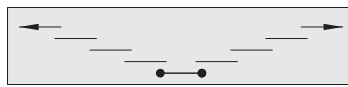
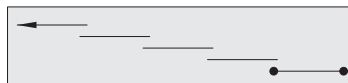
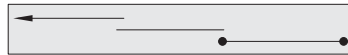
Please find in the following some illustrations of possible sliding element arrangements as well as package forming possibilities.

The fixed sliding element is situated in the front barrel and is fully visible. Overlap of panel approx. 5 cm

## Whirling rod



## Connected movable



Please sketch the arrangement of the sliding elements on your order form. VIEW FROM THE TOP.

The following functions can be noted on the sketch:

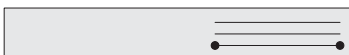
\_\_\_\_\_ Sliding elements variably movable

\_\_\_\_\_ X Sliding element with whirling rod

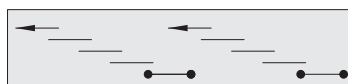
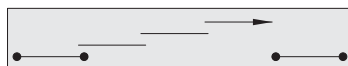
\_\_\_\_\_ Connected sliding rod

\_\_\_\_\_ Sliding element stopped with position fixing element

## Draw cord / Power 24 V



## Connected movable



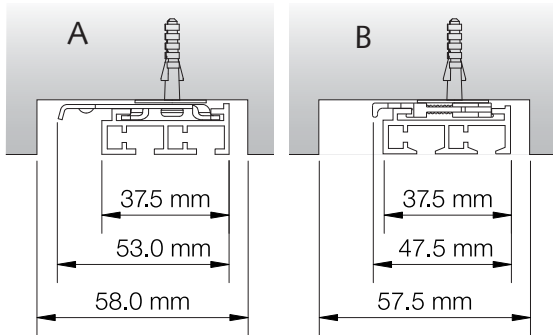
An example of the calculation of the length of the sliding elements:

$$\frac{\text{System width} \cdot 5,0 \text{ cm}}{\text{Number of sliding elements}} + 5 \text{ cm}$$

# MEASURING AND INSTALLATION

Installation in the groove

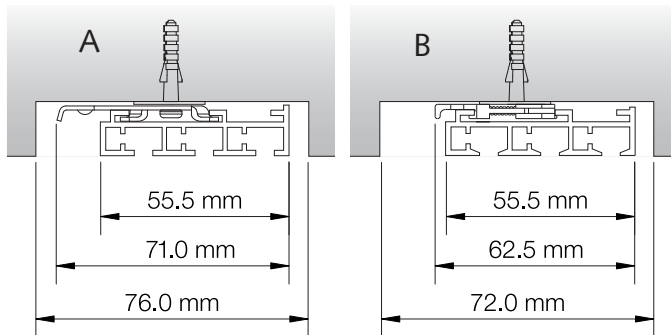
Space requirements in the case of installation with tension jacks in a groove:



PANTRIC 2

A Tension jack

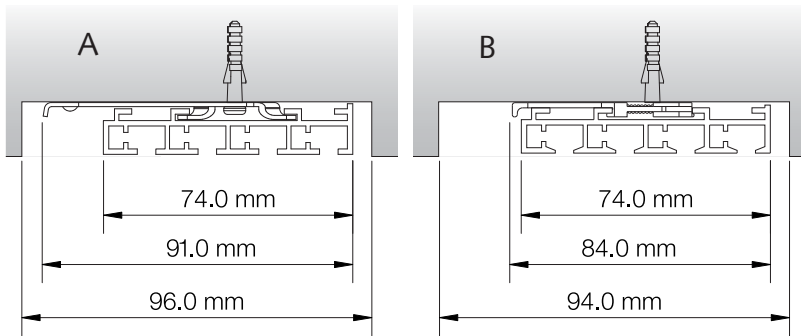
B Clip



PANTRIC 3

A Tension jack

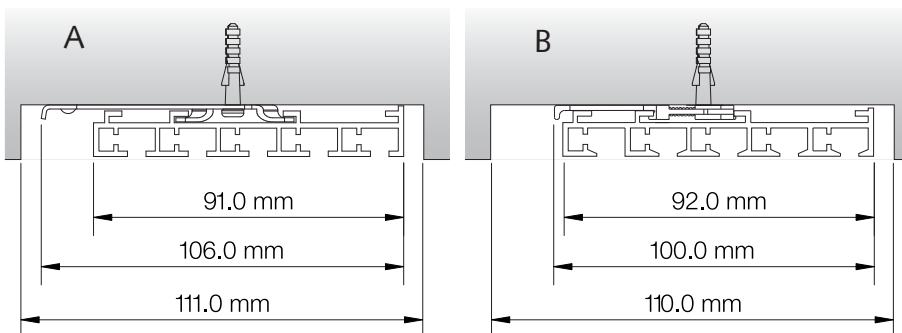
B Clip



PANTRIC 4

A Tension jack

B Clip

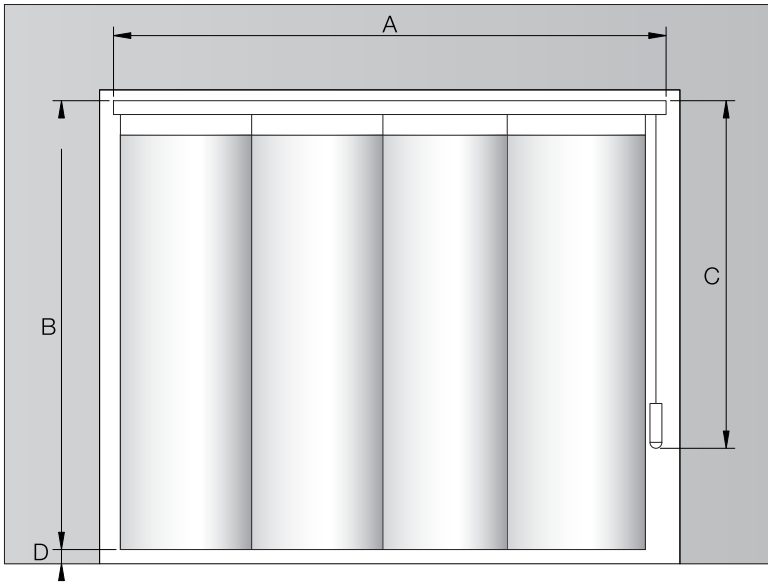


PANTRIC 5

A Tension jack

B Clip

# MEASURING AND INSTALLATION

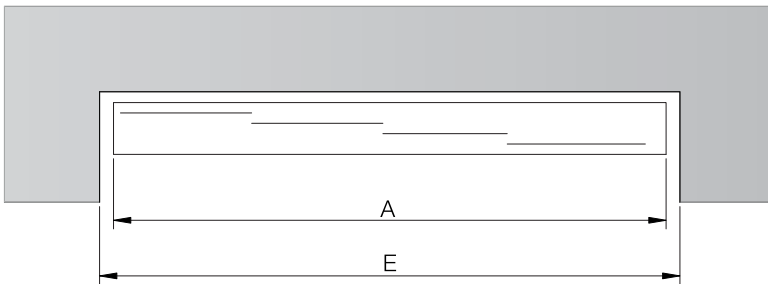


## Measuring

The panel track systems are customized. System widths of up to approx. 600 cm (max.) and system heights of up to approx. 300 cm (max.) are possible.

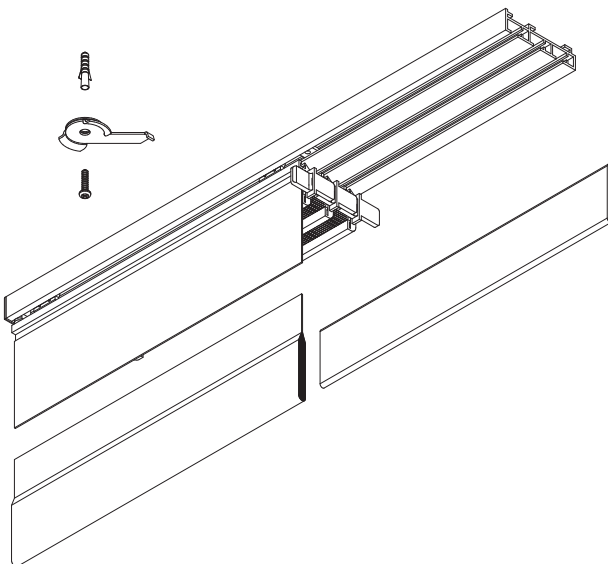
Larger widths / heights upon inquiry.

- A System width: The width of the panel track systems
- B System height: From the upper edge of the track to the lower edge of the fabric panels
- C Please indicate the drawing side and length of the draw cord
- D Distance to floor



In the case of window niches or wall-to-wall installations, deduct approx. 1 cm from the niche, that is to say from the wall-to-wall measurements.

- E Width of niche
- A System width = niche width, minus 1 cm



## Installation

- Higher track side in room direction
- Position a tension jack at 5 cm from each track end as well as every 50 cm
- Position the tension jack arm in window direction
- Position the weighting in the lower hollow space of the fabric panels
- Fix the fabric panel with Velcro to the sliding element

Our comprehensive range and a complete list of our global sales outlets can be found at [www.creationbaumann.com](http://www.creationbaumann.com).

05/2013

Création Baumann AG  
Bern-Zürich-Strasse 23 | CH-4901 Langenthal  
Telephone +41 (0)62 919 62 62 | Fax +41 (0)62 922 45 47  
[mail@creationbaumann.com](mailto:mail@creationbaumann.com) | [www.creationbaumann.com](http://www.creationbaumann.com)

*Création* **baumann**