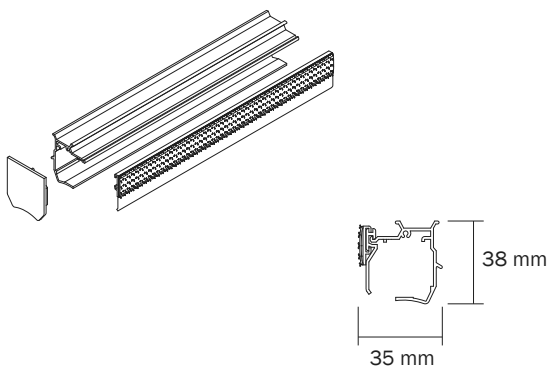
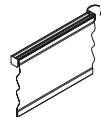


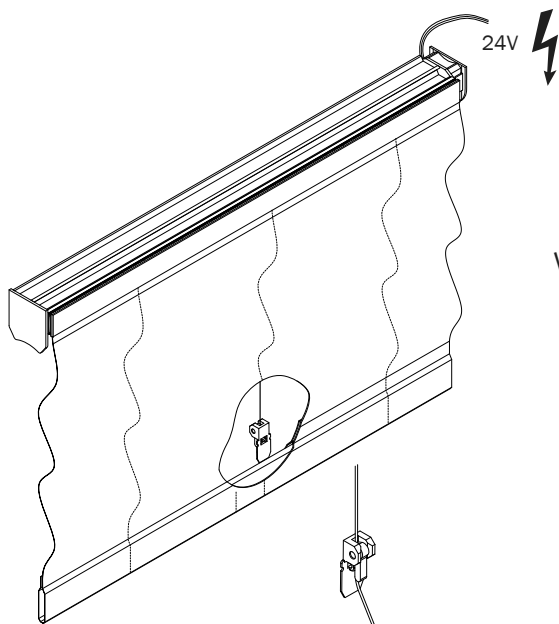
RAFFTRIC MEZZO POWER 24 V TECHNIQUE



Profile Stable aluminium profile, 2 parts (head, cover hook-and loop-tape) for medium-weight and heavy roman blinds.

Curtains are quick and easy to remove for cleaning, thanks to the user-friendly click mechanism with cord-clip.

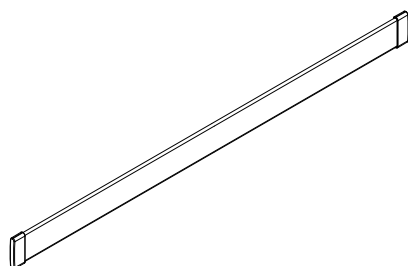
Colours Standard white RAL 9016
Standard anodized aluminium/grey



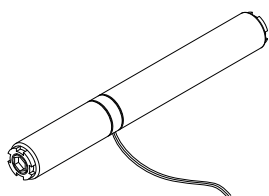
Size of system Width up to max. 300 cm
Height up to max. 300 cm

Weight of curtain max. 6 kg

Function Cord spool with cord clip for simple insertion and removal of draw cord



Bottom weight Flat aluminium profile 3 x 25 mm

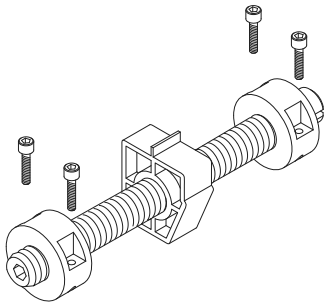
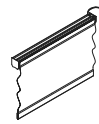


Motor 24-Volt DC motor
Minimum electric tension 20 V
Nominal current 0.50 Amp.
Rotations/minute 30
Length of electric cable 250 cm
With overload protection



Pay attention to the wire cross section!

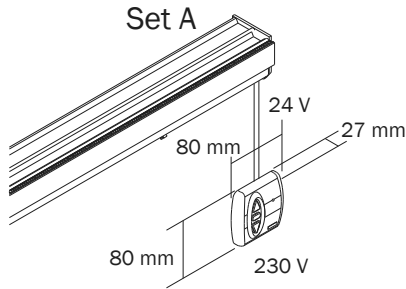
RAFFTRIC MEZZO POWER 24 V TECHNIQUE



Stopper top/
bottom

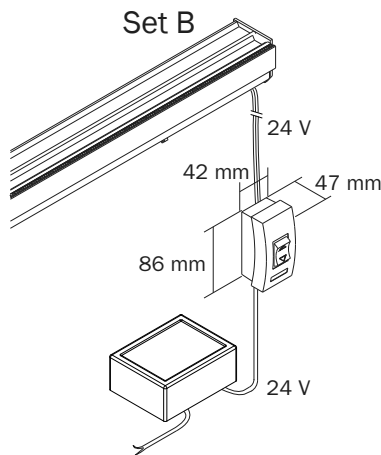
Setting up of upper and lower limit stop at the factory, fine adjustment on-site possible

Remove curtain from system, washing instruction see Rafftric Mezzo

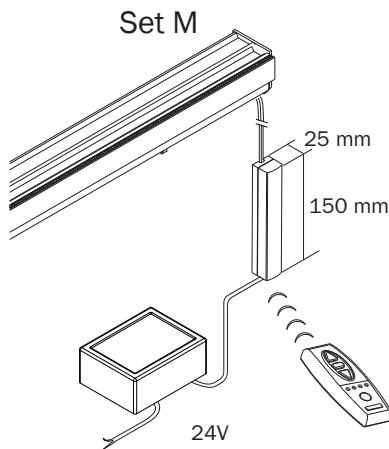


Operation/
controller

Set A:
Switch with integrated transformer (INIS DC) 230/24 volt, colour white



Set B:
White pole reverser switch 230/24 volt transformer with 230 volt cable/connector as well as 24 volt cable



Set M:
Radio receiver set (DC-RTS) 24 volt white version with 1-channel white radio hand-held transmitter (Telis 1 RTS) and 230/24 volt transformer with 230 volt cable/connector as well as 24 volt cable

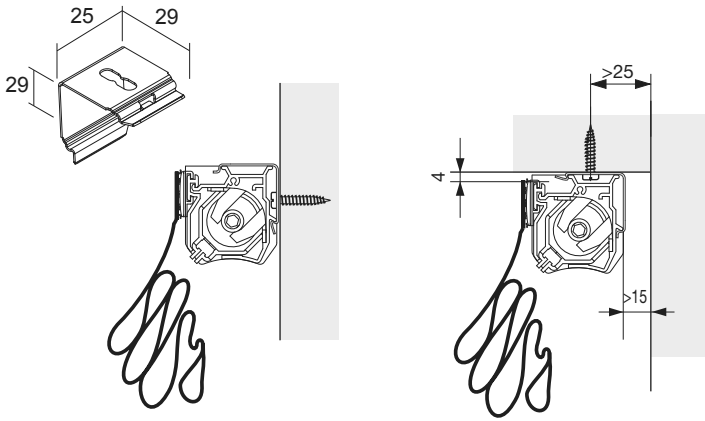
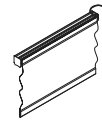
Group control

Group control as of two installations upon inquiry

Width up to cm	90	130	170	210	250	300
Number of tapes	3	4	5	6	7	8
number of brackets	2	3	3	3	4	4

Arrangement of tapes/brackets

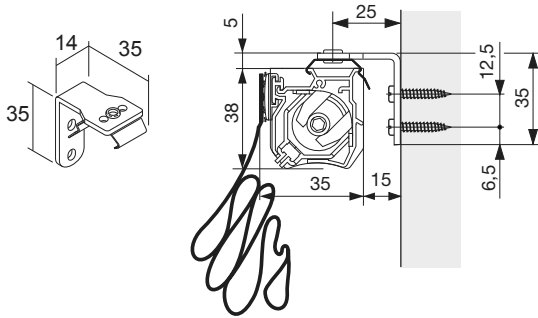
RAFFTRIC MEZZO POWER 24 V INSTALLATION



Clip Spring steel, for ceiling and wall installation

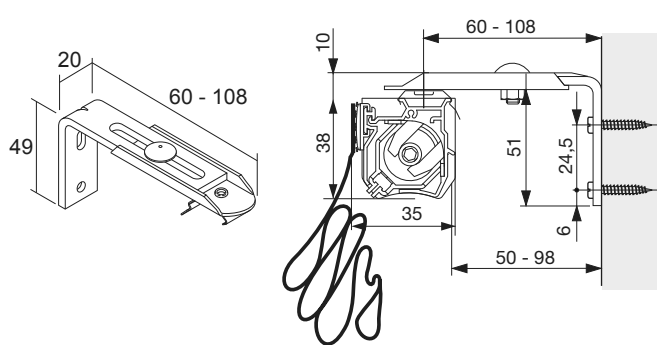
Colours Standard stainless steel
Standard white

measure in mm



Wall bracket 25 mm Metal, with pre-assembled clip

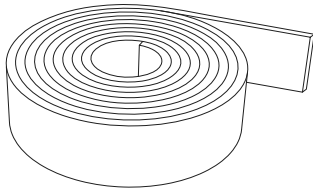
Colours Standard galvanized
Standard white



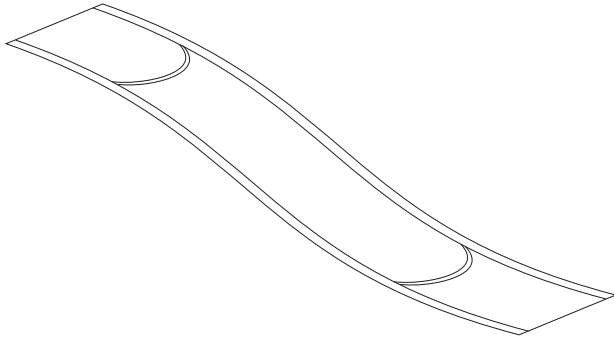
Wall bracket 60-108 mm Metal, with pre-assembled clip

Colours Standard galvanized
Standard white

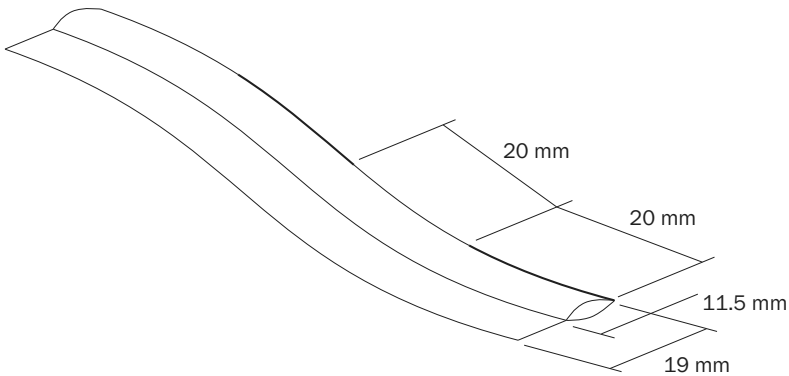
RAFFTRIC PICCOLO / MEZZO MAKING-UP ACCESSORIES



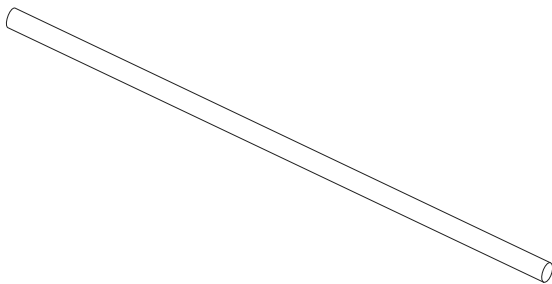
White polyamide hook-and loop tape, washable, to sew on, width 20 mm



Loop tape, polyester transparent with cross loops, 7.5 cm division, to sew on, width 20 mm (making-up type A)



Insertion tape transparent for insertion rod \varnothing 4 mm, width 19 mm (making-up type B)

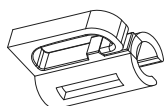


Insertion rod white, light and robust, diameter 4 mm, (making-up type B)

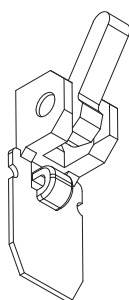
RAFFTRIC PICCOLO / MEZZO MAKING-UP ACCESSORIES



End cap for insertion rod \varnothing 4 mm
(making-up type B)
Colour white

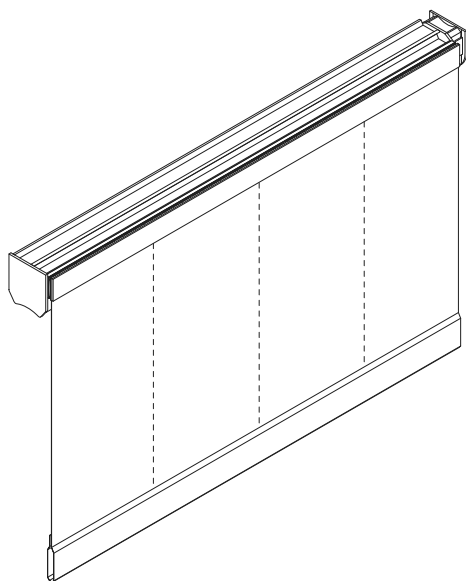


Clip insertion rod \varnothing 4 mm transparent
(making-up type B)



Transparent cord lock, to sew on

RAFFTRIC MAKING-UP



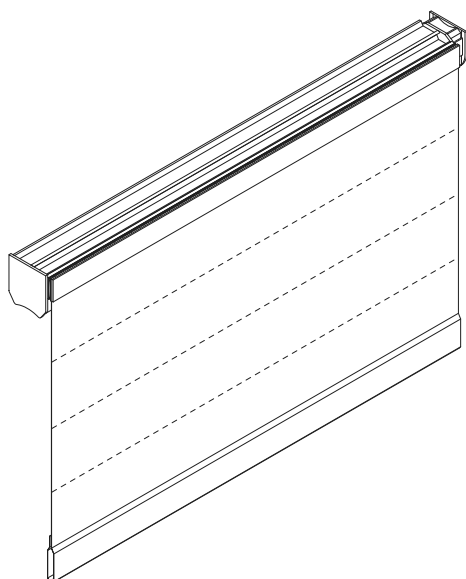
Making-up type A

RAFFTRIC
PICCOLO /
MEZZO

Reverse surface vertical sewn-on,
transparent loop tape
Distance segments
approx. 15 cm
Depth of fold approx. 7,5cm
Side seams approx. 6 cm, lower border
approx. 4 cm height
Weighting-flat aluminium profile,
3 x 25 mm

RAFFTRIC
MOBILE /
MOBILE S

Reverse surface vertical sewn-on trans-
parent loop tape
Distance segments approx. ca. 12 cm
Depth of fold approx. 6 cm
Side seams approx. 6 cm
Lower and upper border with loop tape



Making-up type B

RAFFTRIC
MEZZO

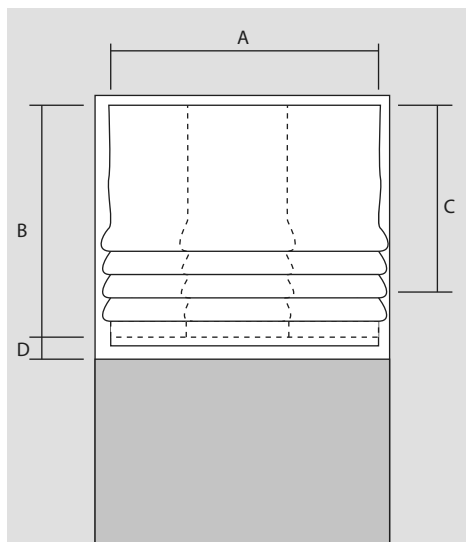
Reverse surface horizontal sewn-on,
transparent insertion tape
Robust circular insertion rod \varnothing 4 mm
Distance between segments
approx. 20 cm
Depth of fold approx. 10 cm
Side seams approx. 1.5 cm, lower bor-
der approx. 4 cm height
Weighting-flat aluminium profile
3 x 25 mm

RAFFTRIC
MOBILE /
MOBILE S

Reverse surface vertical sewn-on trans-
parent insertion tape
Robust circular insertion rod \varnothing 4 mm
Distance segments approx. ca. 15 cm
Depth of fold approx. ca. 7.5 cm
Side seams approx. 1.5 cm
Lower and upper border with loop tape

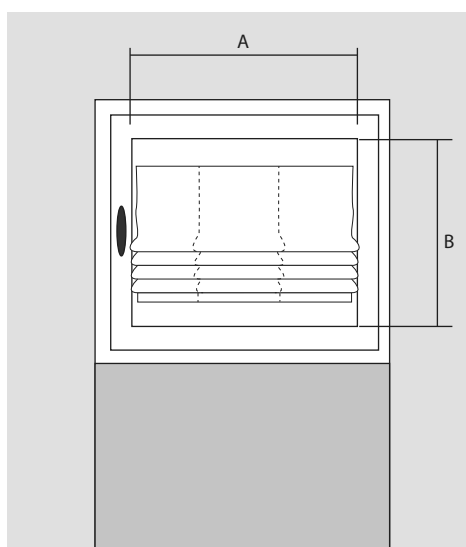
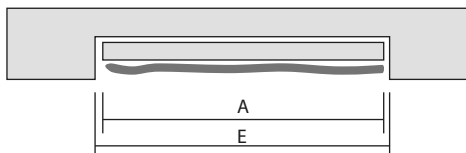
Curtain stack on top:
Abt. 15–20% of the height of curtain
(depending on the kind of fabric and
type of making up)

MEASURING AND INSTALLATION



Installation in the niche
RAFFTRIC
PICCOLO/
MEZZO

A – width of system = width of niche – 10 mm
B – height of system = height of the niche
C – length of draw
D – clearance

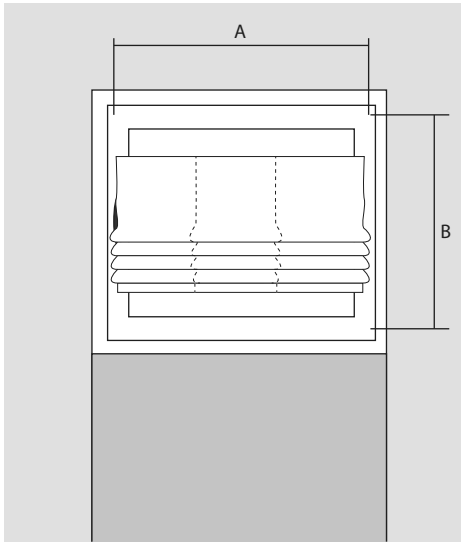


Installation in support window bar
RAFFTRIC
MOBILE/
MOBILE S

Please take notice of the system depth of 22 mm by installation in the recess of the support window bar

A – width of system = width of glass – 5 mm
B – height of system = height of glass – 5 mm

MEASURING AND INSTALLATION



Frontal installation on window frames

RAFFTRIC
MOBILE/
MOBILE S

Wall support:

- A – Width of system = width of glass + desired overlap
- B – Height of system = height of glass + desired overlap

Clamping carrier:

- A – Width of system = width of glass + desired overlap
- B – Height of system = height of window frame

Support window bar:

- A – Width of system = measure of the leading edge + desired overlap (2x width of support window bar)
- B – Height of system = measure of the leading edge + desired overlap (2x width of support window bar)