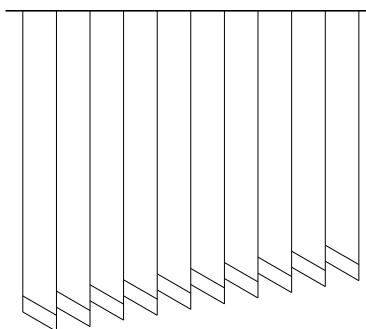
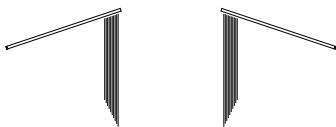
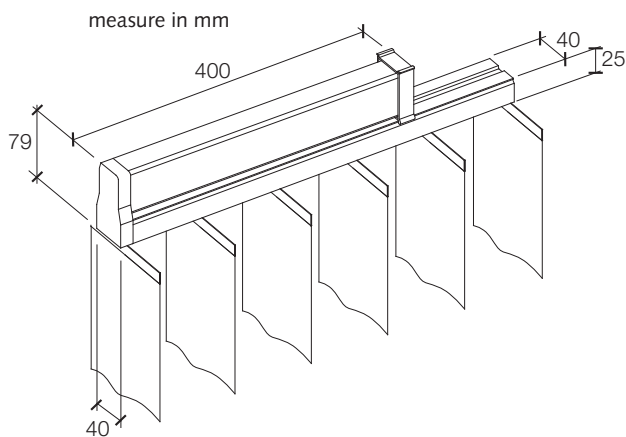
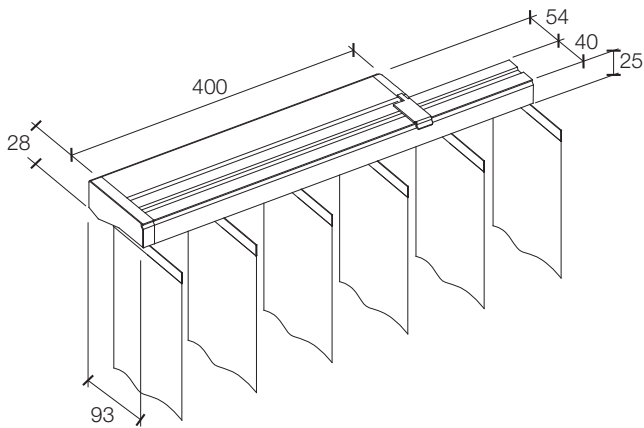


METRIC III POWER SLOPE TECHNIQUE



Track Track in extruded aluminium. The safety clutch prevents any over-speeding of the gears and thus ensures an even turning of the blinds

Colours Standard anodized aluminium
Standard white RAL 9016
Other RAL-colours upon inquiry

Motor Opening and closing as well as turning of the blinds by 180° with the electric motor, right or left (behind the track). Motor located in upper right or left area of the track – for suspension from ceilings, upon inquiry

Colours Standard anodized aluminium
Standard white RAL 9016

Operation re. electric versions

Blind widths approx. 89 mm
approx. 127 mm

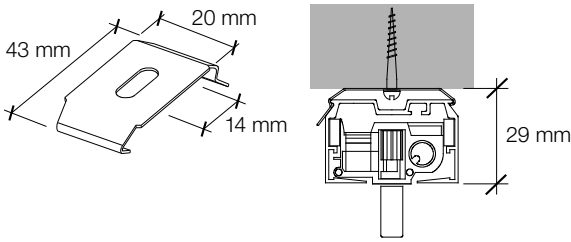
Size of system Maximum width 700 cm
Maximum height 400 cm
Maximum surface 28 m²

Max. inclination angle: 55°

Package arrangement Blinds package and operation always at the greater height

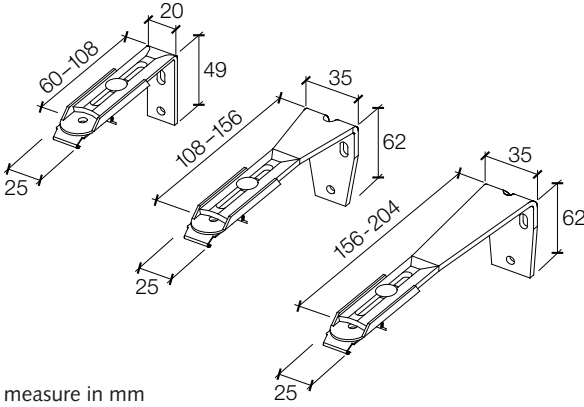
Blind versions Standard welded weighting plates, connecting chain upon inquiry

METRIC III POWER SLOPE INSTALLATION



Ceiling Fixing to ceiling only by means of the clips

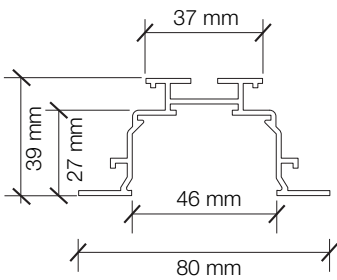
Colours: stainless steel or white



Wall Fixing to wall by means of the supporting bracket/extractable preassembled clips

60 – 108 mm
108 – 156 mm
156 – 204 mm

Colours: galvanized steel or white

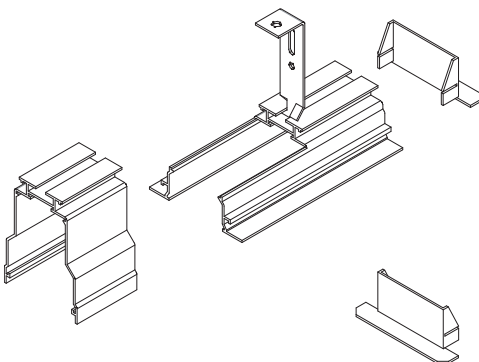
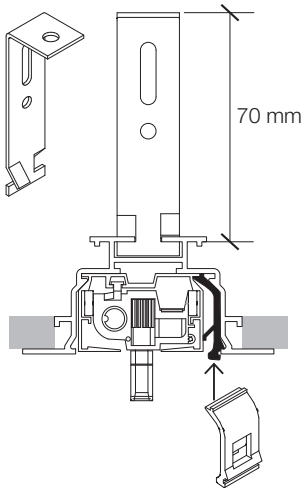


Suspended from the ceiling

Recess profile: aluminium for straight installations, original length: 6 m, Mounting of recess profile by means of suspension brackets, fixing of track with mounting clips

Motor on top of the track

Colours: anodized aluminium or white

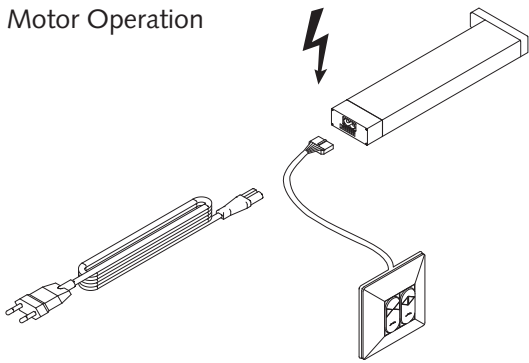


In order to fix the upper motor, use assembly profile motor A. Cut-out the upper part in the front zone of the recess profile to create space for the motor. Length of the cut: motor length + 70 mm, plus the length of a possible additional module

End cap of the recess profile (suspended from the ceiling) in grey or white available

METRIC III POWER VERSIONS MOTOR OPERATION

Motor Operation

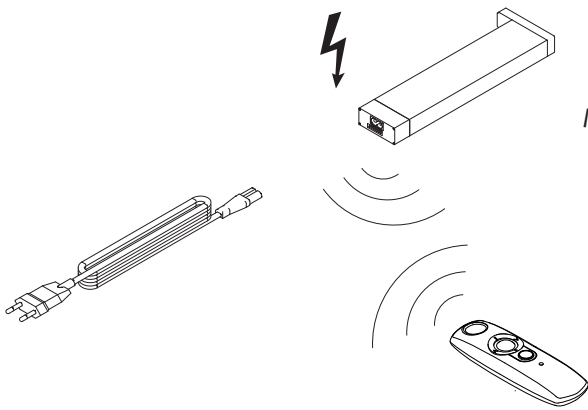


METRIC POWER
Push button
operation

A completely modular motor system with individual components that can be combined flexibly with one another

Particular characteristics:

- Application on the left or right of the track (on side or on top)
- 230 V electrical power supply always connected direct to the motor via an internal network component
- Automatic cutoff in case of overload
- Automatic partial opening to at least 25° before curtain moves
- Turning of the blinds by 180°
- Soft start/soft stop



METRIC POWER
RTS
Radio remote
control

Particular characteristics:

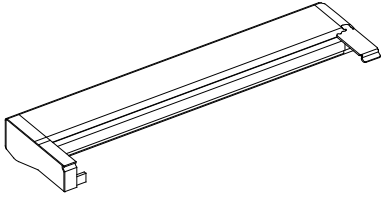
- Application on the left or right of the track (on side or on top)
- 230 V electrical power supply always connected direct to the motor via an internal network component
- Automatic cutoff in case of overload
- Automatic partial opening to at least 25° before curtain moves
- Turning of the blinds by 180°
- Handy fine adjustment
- Integral radio receiver
- Soft start/soft stop

Checklist
Motor operation

- 1 Placement motor on track
- 2 Current supply
- 3 Cable connector motor/control
- 4 Power supply cable
- 5 Cable clip

METRIC III POWER VERSIONS INDIVIDUAL CONTROL

Individual control



Motor
POWER/
POWER RTS

The motor steers the movement and turning of the blinds. It is equipped with a «mono-function» so that control elements with two switching functions can be used.

Motor with integrated power supply 230 V in aluminium casing, to be mounted on the left or right behind the track and on the left or right on top the track

Measurements: L400 x W54 x H28 mm

Tractive force: 80 Ncm on the sprocket

Input voltage: 180–264 volt AC

Feed frequency: 50–60 Hz

Current

consumption: max. 0.35 A at 180 volt AC

Onsetting

current: < 10 A

Control voltage: extra low voltage

Control current: 10 mA/control sign

Driving speed: 5 m/min

End position sensing: electronically by programming

Operation

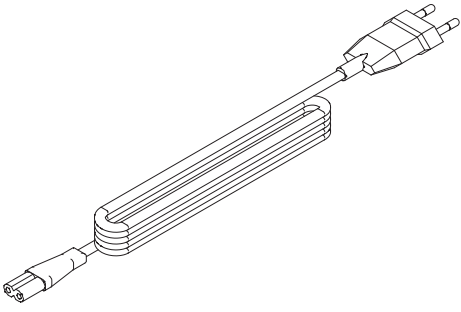
temperature: 0–70° C

Colours Standard anodized aluminium
Standard white RAL 9016

Automatic cut off in case of overload!

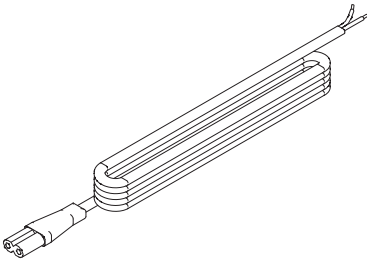
As an option, the METRIC III POWER motor also includes an RTS module for control via Somfy RTS radio transmitter

METRIC III POWER VERSIONS INDIVIDUAL CONTROL



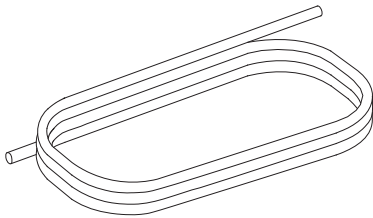
Connector 230 V connector with jack on the motor and a Euro connector for the motor's power supply

Cable: 2 x 0,75 mm²
Length: 2 m
Colour: white

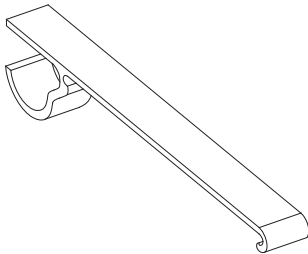


Connector 230 V connector with jack on the motor for the motor's power supply

Cable: 2 x 0,75 mm²
Length: 5 m
Colour: white

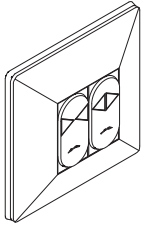


Cable connector control/motor Control cable 4x0.14 mm² per running meter
Colour: white

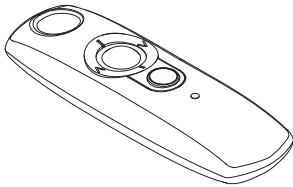


Cable clip Can be clipped on to the track to guide the cable behind the track

METRIC III POWER VERSIONS INDIVIDUAL CONTROL



Control Touch buttons
Measurements: L17xW82xH82 mm
Functions: Turning right/left
opening/closing
Colour: white



Radio hand transmitter Convenient and practical to operate via a handheld radio transmitter:
1-channel TELIS 1 Modulis Var RTS
5-channel TELIS 4 Modulis Var RTS

Handy fine adjustment of turning blinds

Scroll wheel for elegant positioning

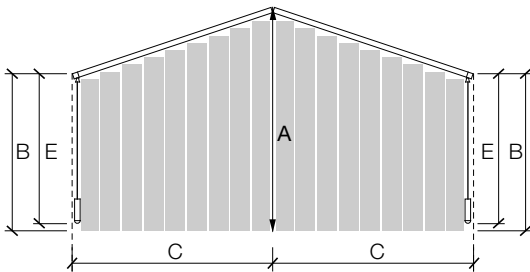
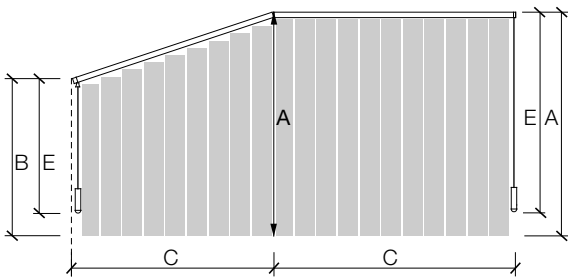
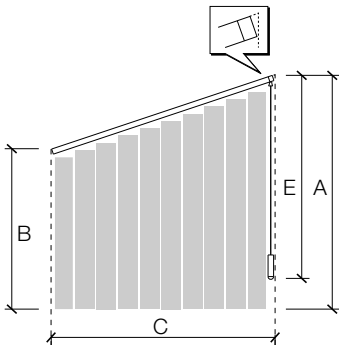
Group controls Group controls possible as of 2 installations (upon inquiry)

External control elements Other control elements (SOMFY, etc.) for individual or group control, can be added by means of additional modules (upon inquiry)

MEASURING AND INSTALLATION SLOPE



The vertical blinds systems are customized. Therefore, they cannot be replaced or taken back. Please use the preprinted forms to place your order



- Slope
1. Determine which overall zone by the system is to be covered
 2. Mark the upper corner points
 3. Plumb and mark the upper corner points of the basis (e.g. window-sill, floor)
 4. Measure the basic width between these marks = width to order (do not deduce anything from this width)
 5. Measure the height. Pay attention to the necessary deductions (i.e. approx. 2–3 cm distance to floor)

- A – Largest system height in mm
- B – Smallest system height in mm
- C – Basic width = width to order
- E – Length of draw cord

The blinds package is always to be placed on the greatest height. Inclination angle of a maximum of 55°.

Please mark the overlapping of the blinds in the case of two adjacent systems (can only be operated on the opposite side)

- | | |
|--|--|
| <p>Checklist</p> <p>Measuring of slope installations</p> | <ol style="list-style-type: none"> 1 Largest system height in mm 2 Smallest system height in mm 3 Basic width = width to order 4 Arrangement of blinds packages 5 Operation side 6 Operation length 7 Choice of textile blinds 8 Mounting on to ceiling or wall 9 Distance to wall 10 Sketch |
|--|--|

Our comprehensive range and a complete list of our global sales outlets can be found at www.creationbaumann.com.

05/2013

Création Baumann AG
Bern-Zürich-Strasse 23 | CH-4901 Langenthal
Telephone +41 (0)62 919 62 62 | Fax +41 (0)62 922 45 47
mail@creationbaumann.com | www.creationbaumann.com

Création **baumann**