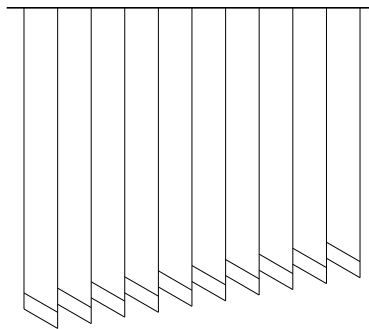
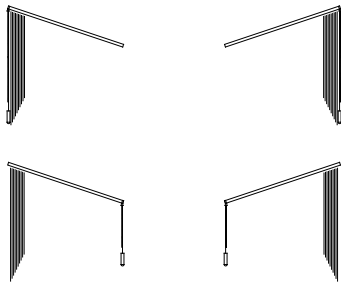
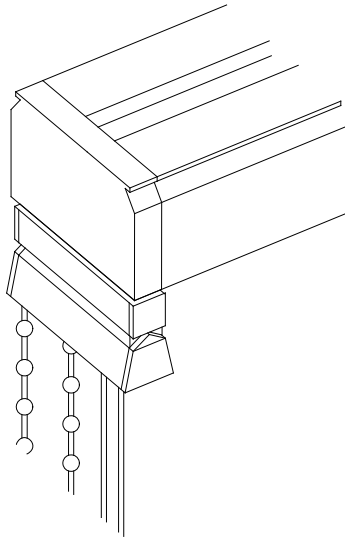
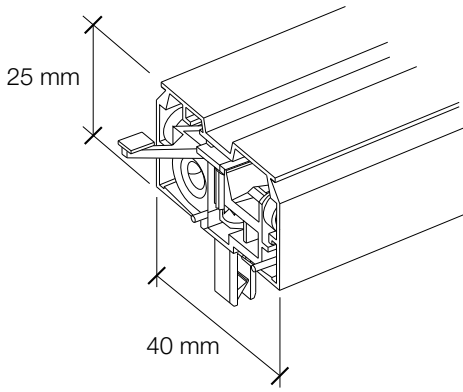


METRIC III SLOPE TECHNIQUE



Track Track in extruded aluminium. The safety clutch prevents any over-speeding of the gears and thus ensures an even turning of the blinds

Colours Standard anodized aluminium
Standard white RAL 9016
Other RAL-colours upon inquiry

Operation Opening and closing of the blinds by means of the draw cord mechanism. Turning of the blinds by 180° with chain

Cord grey or white

Chain bead chain in grey or white

Blind widths approx. 89 mm
approx. 127 mm

Size of system Maximum width 700 cm
Maximum height 400 cm
Maximum surface 28 m²

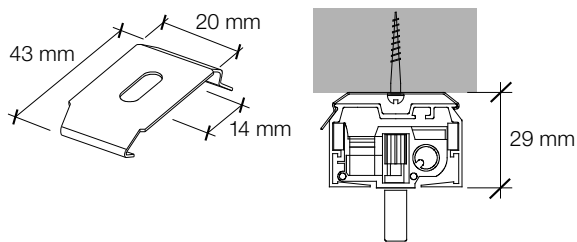
Max. inclination angle: 55°

Package arrangement Blinds package and operation always at the greater height

Blinds package always at the greater height, operation at the lower height

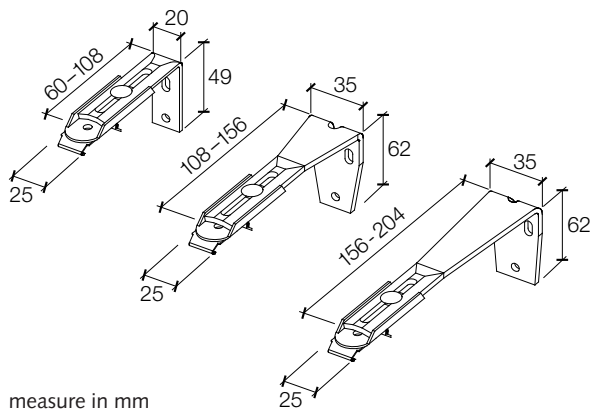
Blind versions Standard welded weighting plates, connecting chain upon inquiry

METRIC III SLOPE INSTALLATION



Ceiling Fixing to ceiling only by means of the clips

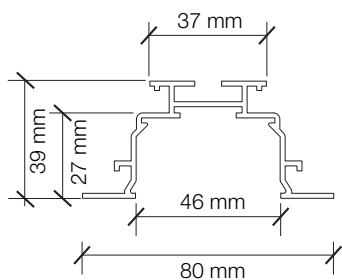
Colours: stainless steel or white



Wall Fixing to wall by means of the supporting bracket/extractable preassembled clips

60 – 108 mm
108 – 156 mm
156 – 204 mm

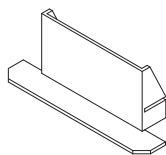
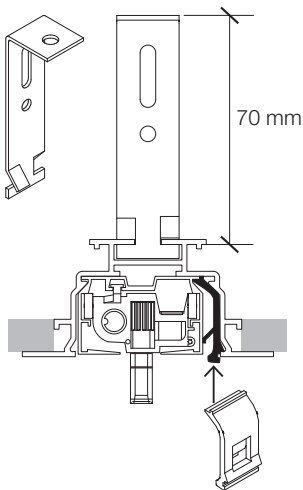
Colours: galvanized steel or white



Suspended from the ceiling

Recess profile: aluminium for straight installations, original length: 6 m, Mounting of recess profile by means of suspension brackets, fixing of track with mounting clips

Colours: anodized aluminium or white

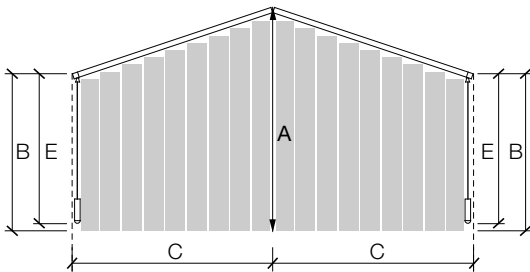
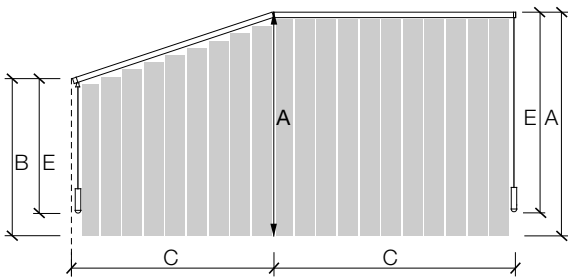
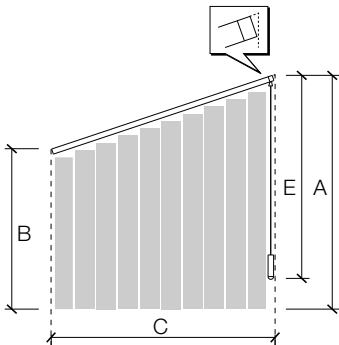


End cap of the recess profile (suspended from the ceiling) in grey or white available

MEASURING AND INSTALLATION SLOPE



The vertical blinds systems are customized. Therefore, they cannot be replaced or taken back. Please use the preprinted forms to place your order



- Slope
1. Determine which overall zone by the system is to be covered
 2. Mark the upper corner points
 3. Plumb and mark the upper corner points of the basis (e.g. window-sill, floor)
 4. Measure the basic width between these marks = width to order (do not deduce anything from this width)
 5. Measure the height. Pay attention to the necessary deductions (i.e. approx. 2–3 cm distance to floor)

A – Largest system height in mm
B – Smallest system height in mm
C – Basic width = width to order
E – Length of draw cord

The blinds package is always to be placed on the greatest height. Inclination angle of a maximum of 55°.

Please mark the overlapping of the blinds in the case of two adjacent systems (can only be operated on the opposite side)

- | | |
|--------------------|----------------------------------|
| Checklist | 1 Largest system height in mm |
| Measuring of slope | 2 Smallest system height in mm |
| installations | 3 Basic width = width to order |
| | 4 Arrangement of blinds packages |
| | 5 Operation side |
| | 6 Operation length |
| | 7 Choice of textile blinds |
| | 8 Mounting on to ceiling or wall |
| | 9 Distance to wall |
| | 10 Sketch |

Our comprehensive range and a complete list of our global sales outlets can be found at www.creationbaumann.com.

05/2013

Création Baumann AG
Bern-Zürich-Strasse 23 | CH-4901 Langenthal
Telephone +41 (0)62 919 62 62 | Fax +41 (0)62 922 45 47
mail@creationbaumann.com | www.creationbaumann.com

Création **baumann**