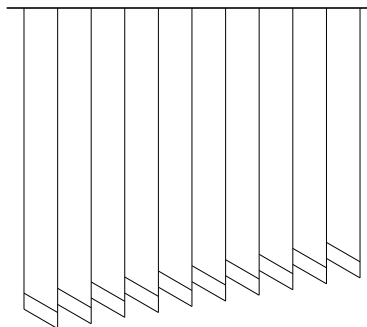
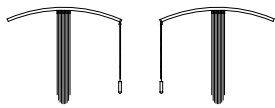
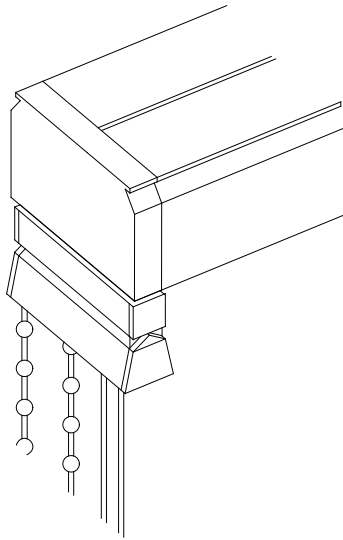
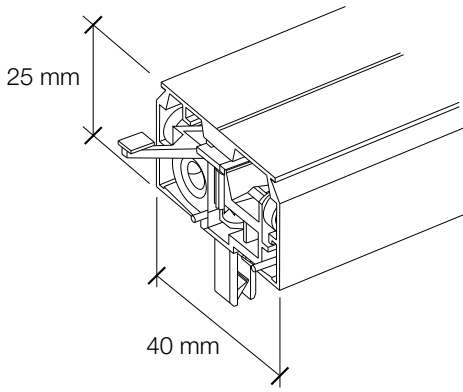


METRIC III VERTICALLY CURVED TECHNIQUE



Track Track in extruded aluminium. The safety clutch prevents any over-speeding of the gears and thus ensures an even turning of the blinds

Colours Standard anodized aluminium
Standard white RAL 9016
Other RAL-colours upon inquiry

Operation Opening and closing of the blinds by draw cord / draw cord break mechanism.
Turning of blinds by 180° at a transmission ratio of 4:1 by means of the chain.
Electric versions, upon inquiry

Cord grey or white

Chain bead chain in grey or white

Blind widths approx. 89 mm
approx. 127 mm

Size of system Maximum width 560 cm*
Maximum height 400 cm
Maximum surface 22 m²

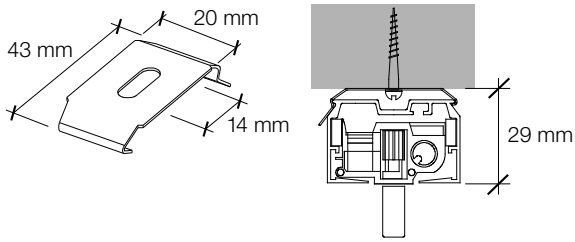
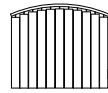
*stretched rail length

Minimum radius Minimum radius: 50 cm
Max. inclination angle: 110°

Package arrangement Blinds package in the middle (even number of blinds)
Operation left or right

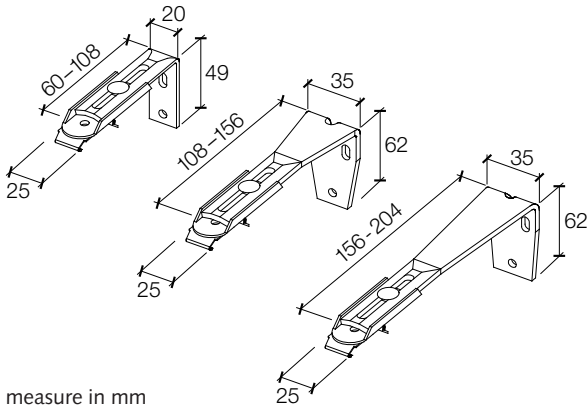
Blind versions Standard welded weighting plates, connecting chain upon inquiry

METRIC III VERTICALLY CURVED INSTALLATION



Ceiling Fixing to ceiling only by means of the clips

Colours: stainless steel or white



Wall Fixing to wall by means of the supporting bracket/extractable preassembled clips

60 – 108 mm
108 – 156 mm
156 – 204 mm

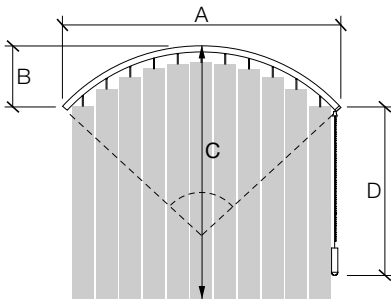
Colours: galvanized steel or white

measure in mm

MEASURING AND INSTALLATION VERTICALLY CURVED



The vertical blinds systems are customized. Therefore, they cannot be replaced or taken back. Please use the preprinted forms to place your order



Vertical curved

- A – Measuring the chord width
- B – Determining the arch height at half chord width
- C – Height of the system
- D – Operation length

Other versions possible (upon inquiry)

The blinds package is always positioned at the highest point in the middle. Only symmetrical installations are possible

Minimum radius: 50 cm
Max. inclination angle: 110°

In order to work out everything precisely, we require a sketch or a template.

Additional archway applications upon inquiry

Checklist
Measuring of arch
installations

- 1 Measuring of basic, that is to say chord width according to instructions
- 2 Height of system
- 3 Partial measurement, according to instructions
- 4 Operation side
- 5 Operation length
- 6 Choice of textile blinds
- 7 Fixing to ceiling or wall
- 8 Distance to wall
- 9 Sketch

Our comprehensive range and a complete list of our global sales outlets can be found at www.creationbaumann.com.

05/2013

Création Baumann AG
Bern-Zürich-Strasse 23 | CH-4901 Langenthal
Telephone +41 (0)62 919 62 62 | Fax +41 (0)62 922 45 47
mail@creationbaumann.com | www.creationbaumann.com

Création **baumann**